

GLCD Graphical LCD library

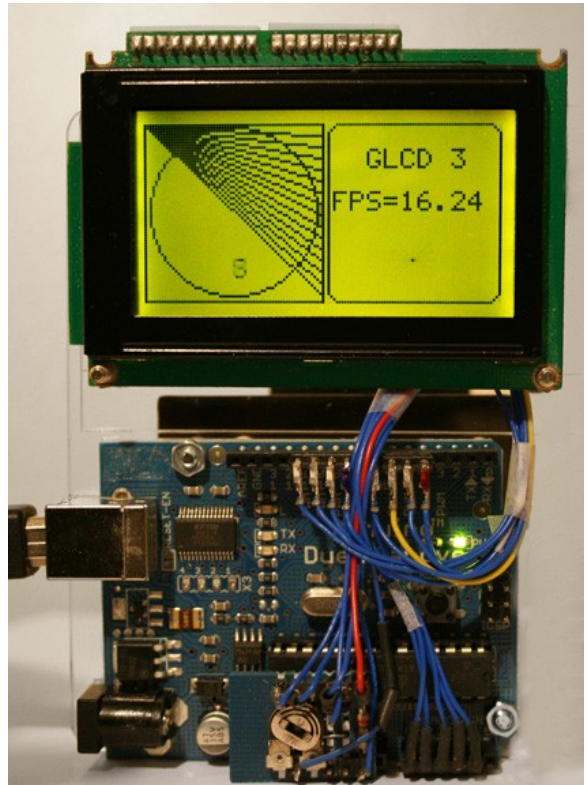
This library makes it easy to use a Graphical LCD (GLCD) with Arduino.

This is an extensive modification of the ks0108 library that has higher performance, more features, supports more Arduino boards and is easier to integrate with different panels.

Sketches written for the old library should work with little or no modification. The configuration mechanism has been changed to facilitate use with a broad range of GLCD chips and ATmega controllers. See the section on sketch migration for details on modifications for the new library.

Table of Contents:

GLCD Graphical LCD library	1
Wiring and Configuration:	2
Configuration	7
AVR port and pin numbers.....	8
Troubleshooting	9
Using fonts	9
Using bitmaps	9
Migrating your sketch from ks0108 to the new GLCD library	10
GLCD Methods:	12
Init().....	13
SetDisplayMode().....	13
ClearScreen().....	14
ReadData()	14
WriteData().....	14
Drawing Functions	15
Coordinate system.....	15
Properties.....	15
Colors.....	16
GotoXY().....	16
SetDot().....	16
DrawVLine().....	16
DrawHLine().....	17
DrawLine()	17
DrawRect().....	17
FillRect().....	18
InvertRect().....	18
DrawRoundRect().....	19
DrawCircle.....	19



FillCircle().....	19
DrawBitmap().....	20
Text Functions.....	20
SelectFont().....	20
SetFontColor().....	20
SetTextMode().....	20
ClearArea().....	21
EraseTextLine(row).....	21
EraseTextLine().....	21
CursorToXY().....	21
Arduino print functions.....	22
Text Areas.....	22
DefineArea().....	23
Enhanced print functions.....	24
printFlash ().....	24
printFlashln ().....	24
Printf ().....	24
Printf_P ().....	24
CharWidth().....	25
StringWidth().....	25
StringWidth_P().....	25
Legacy text output functions	25
PutChar().....	25
Puts().....	26
PrintNumber().....	26
Puts_P().....	26

Wiring and Configuration:

Panel characteristics (like pixel height and width) and the pins used to connect to the panel must be set in a configuration file. Configuration files are provided for the wiring shown below, you can change the file if you want to use different wiring or panels.

This release supports panels using the KS0108 and SED1520 chips.

KS0108 family

The KS0108 is a popular controller chip used in GLCD displays, however, wiring for these panels is not standardized and it is important to check the datasheet for your panel to confirm how it should be wired. Incorrect connections of the signal lines are the most common cause of problems, and particular care should be taken with the power leads as wiring these incorrectly can destroy a panel.

Most GLCD panels require an external preset pot (variable resistor) to set the LCD working voltage (contrast) and may require a fixed resistor to limit the current in the backlight. The datasheet for your panel provides specific information on the wiring and choice of components for this.

The table below shows common pinouts for KS0108 panels.

The numbers under the Arduino column are the Arduino pins used in the configuration file provided in the download, if you alter the wiring to Arduino pins then you must change the pin assignments in the configuration file.

The numbers in the Panel A/B/C columns are the pin numbers of the GLCD display panel

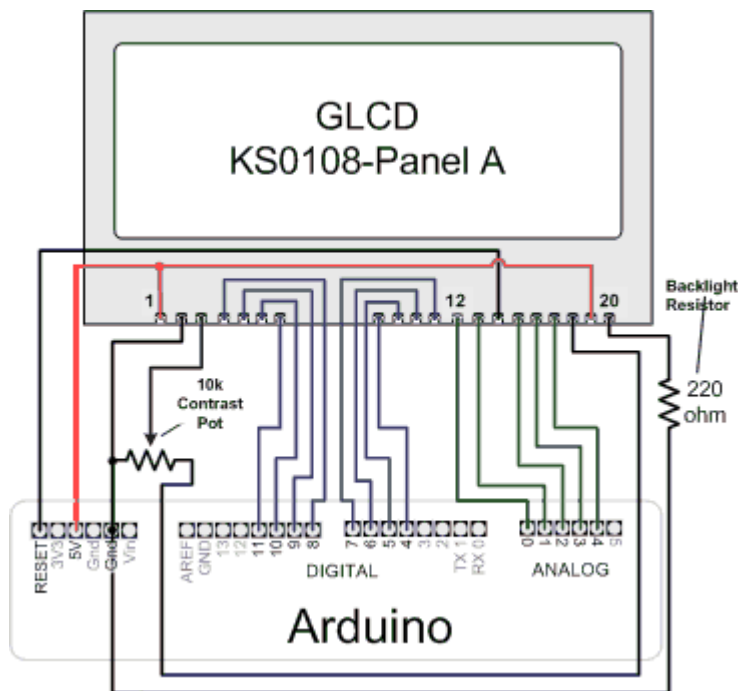
Arduino pins	Mega	Sanguino	Teensy	Teensy ++	Function	Panel A	Panel B	Panel C	Comments
5V	5V	5V	5V	5V	+5 volts	1	2	13	
Gnd	Gnd	Gnd	Gnd	Gnd	GND	2	1	14	
n/a	n/a	n/a	n/a	n/a	Contrast in	3	3	12	Wiper of contrast pot
8	22	0	0	10	D0	4	7	1	
9	23	1	1	11	D1	5	8	2	
10	24	2	2	12	D2	6	9	3	
11	25	3	3	13	D3	7	10	4	
4	26	4	13	14	D4	8	11	5	
5	27	5	14	15	D5	9	12	6	
6	28	6	15	16	D6	10	13	7	
7	29	7	4	17	D7	11	14	8	
14 (alog 0)	33	24	7	18	CSEL1	12	15	15	Chip 1 select
15 (alog 1)	34	25	8	19	CSEL2	13	16	16	Chip 2 select
Reset					Reset	14	17	18	Connect to reset
16 (alog 2)	35	26	6	8	R_W	15	5	10	Read/write
17 (alog 3)	36	27	5	9	D_I	16	4	11	Data/Instruction (RS)
18 (alog 4)	37	28	9	7	EN	17	6	9	Enable
n/a	n/a	n/a	n/a	n/a	Contrast out	18	18	17	10k or 20k preset
n/a	n/a	n/a	n/a	n/a	Backlight +5	19	19	19	See datasheet
Gnd	Gnd	Gnd	Gnd	Gnd	Backlight Gnd	20	20	20	See datasheet

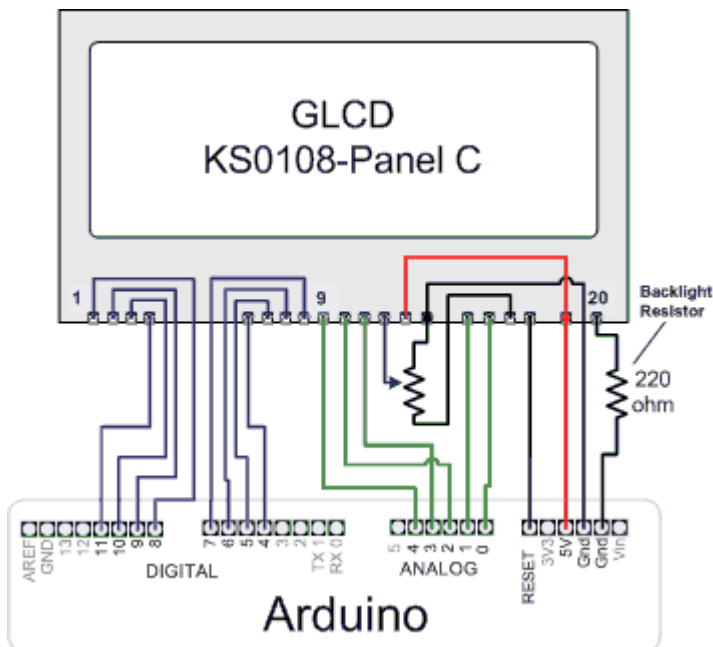
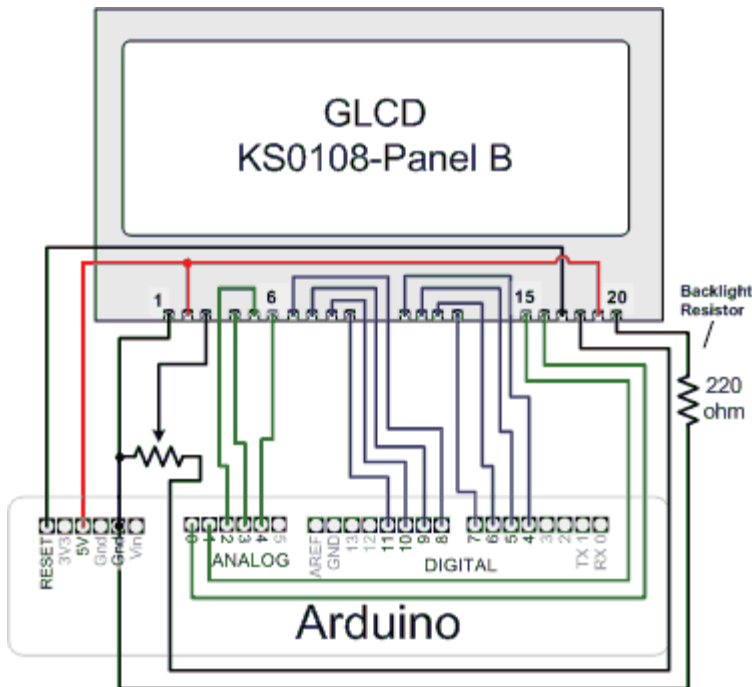
KS-0108 Pin Connections Table
(see your datasheet).

The following illustrations show the wiring for these panel types with a standard Arduino (168/328). Although the pin number on the GLCD panels are different, the corresponding functions are connected to the same Arduino pins in all three examples so the supplied ks0108_Config.h configuration file should work without change if you wire your panel following the appropriate diagram.

The ks0108 datasheet says the reset pin should be taken low for a brief period after power is applied. The diagrams show the display's reset pin connected to the Arduino reset pin and this will automatically reset the display when the Arduino resets. You can also wire the display reset pin to a spare Arduino pin and control reset in software by adding a define to the panel configuration file (see the configuration section below). Note that some panels may function correctly without requiring an external reset; in that case you should connect the panel reset pin to +5volts.

Note: The diagrams that follow are for standard Arduino boards (ATmega 168/328). If you have a different board then you should follow the pin assignments in the Pin Connections Table above. See the datasheet for your panel for the value of the backlight resistor if one is required.



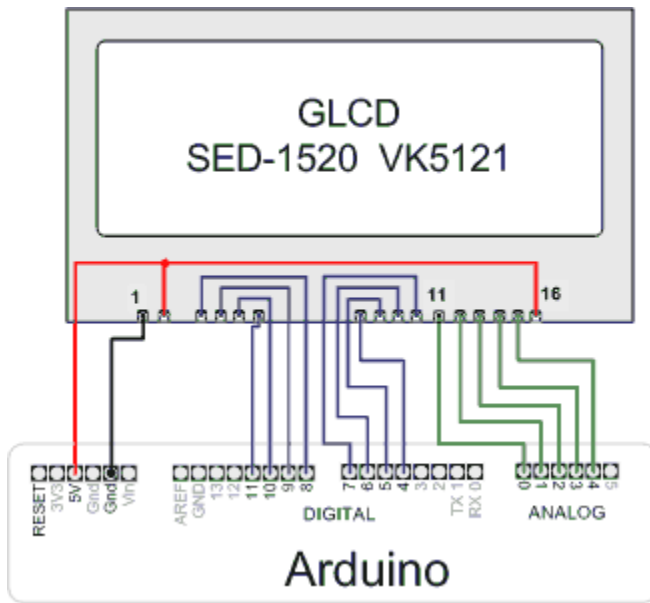


SED1520

The SED1520 uses different timing and command pins than the KS0108 and the most common panels have fewer pixels.

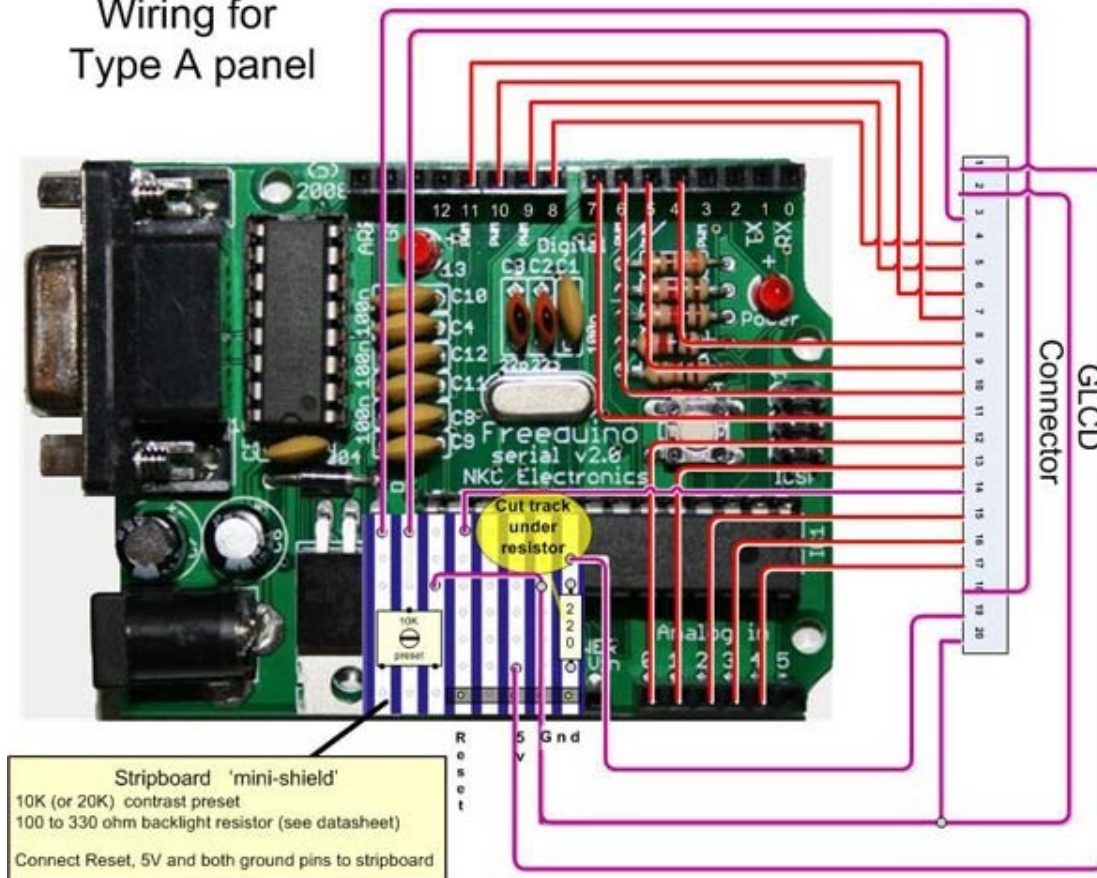
The distribution contains a generic configuration file named `sed1520_Config.h` and an example called `Modvk5121_Config.h` for the VK5121 panel.

Here is the wiring for a typical SED1520 Panel:

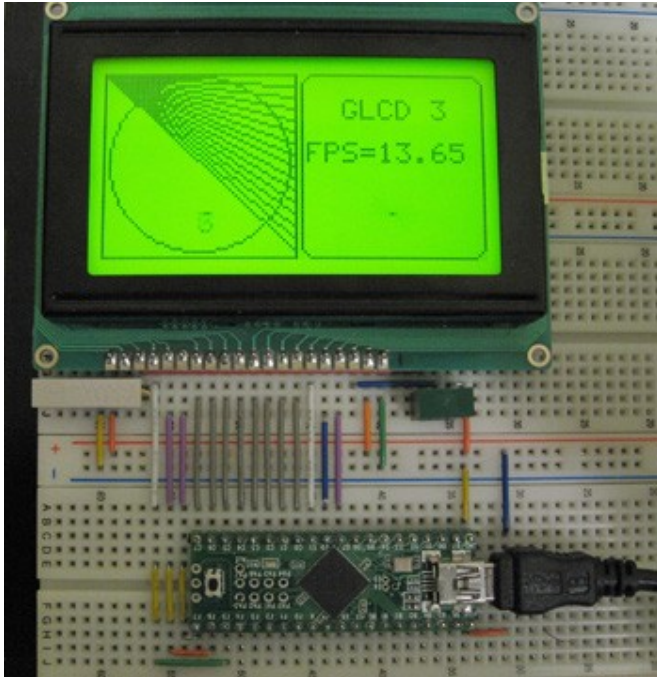


A tip for making the physical connections is use a small piece of stripboard with header pins for 5V, Ground and Reset. The picture has an example layout for a type 'A' panel.

Wiring for Type A panel



Mega, Sanguino and Teensy boards can provide faster performance by allowing all the data pins to be connected to the same port (actual performance will vary depending on the panel). **Note that each board type uses a different selection of pins.**



Example of Teensy++ connected to a KS0108 panel using a breadboard

Configuration

If you are using a standard Arduino board (168/328) or a Mega, Sanguino, Teensy, or Teensy++; and you have a 128x64 KS-0108 panel wired according to the *pin connections table* above, you don't need to make any changes to configuration files.

If you use different wiring or use a different panel type you will need to modify one of the supplied configurations or you can create your own. These configuration files set the panel parameters (display height, and width, timing, etc) to match your hardware and allows selection of the Arduino pins used to connect to the display.

Although display panel timing can also be easily configured, most displays will work without requiring a configuration change for timing. However, you should check the datasheet for your panel to verify the timing values in the panel configuration file.

The active configuration when the sketch is compiled is selected in a master configuration file named `glcd_Config.h`.

The default configuration file (named "`config/ks0108_Panel.h`") is for 128x64 ks0108 type panel.

The panel configuration file naming is:

`"{PANELNAME}_Panel.h"`

Where:

`{PANELNAME}` is the glcd panel type. (for example, ks0108)

The panel configuration file includes a board specific configuration file that specifies the pins used for each specific board type.

The pin configuration file naming is as follows:

```
"{PANELNAME}_{BOARDNAME}.h"
```

{PANELNAME} is the glcd panel type. (for example, ks0108)

{BOARDNAME} is the name of the board (as selected in the Arduino IDE).

For example, the ks0108 pin configuration file name for a standard Arduino board is:

```
"ks0108_Arduino.h"
```

The equivalent file for the "Mega" board is: "ks0108_Mega.h"

If you change the active configuration in the master configuration file `glcd_Config.h`, make sure that one and only one configuration file is included.

Processor type is automatically determined from the board selected when the sketch is built, this allows Arduino style pin numbers to be mapped to fast direct port IO used by the library.

Pin numbering for the following processor types are supported:

- Standard Arduino (ATmega8,168,328)
- Mega(ATmega1280, ATmega2560)
- Sanguino (ATmega644P)
- Teensy and Teensy++ (AT90USB646, AT90USB1286, ATmega32U4)

In summary:

`glcd_Config.h` includes a panel file "`config/{PANELNAME}_Panel.h`" (the active configuration) that in turn includes a board specific pin mapping file based on arduino board type, "`config/{PANELNAME}_{BOARDNAME}.h`"

GLCDdiags

GLCDdiags is a test sketch included in the examples folder. It will validate the connections and test the memory of GLCD module as well as report the active configuration information to the serial port. If your display is not working properly then check the information displayed in the serial monitor. The sketch prints the information the library is using to the serial monitor and you can use this to verify if the sketch is configured correctly.

AVR port and pin numbers

Pins can also be selected by AVR port and pin number. The syntax used is `PIN_Pb` where `Pb` represents a PORT and a bit#.

For example, to specify port D bit 3 you would use `PIN_D3`

The following sets `glcdCSEL1` (the first chip select) to port D pin 3

```
#define glcdCSEL1 PIN_D3
```

See the `avrio.h` file for more details.

Troubleshooting

No pixels visible on the display

- Check +5v and Gnd connections between Arduino and GLCD panel
- Check all data and command pins are wired according to the datasheet and matching the configuration settings – this is the most common cure to this problem.
- Check the datasheet for your panel to verify appropriate timing values are set in the configuration file.
- Check contrast voltage (typically between -3 and -4 volts) on contrast-in pin of LCD panel. While the sketch is operating, try gradually adjusting the pot through its range. Some displays are very sensitive to this setting.
- Check that sketch has compiled correctly and has downloaded to Arduino.
- Run GLCDdiags test sketch, see Configuration section above.

Left and right side of image reversed

- Swap CSEL1 and CSEL2 wires (or swap pin assignments in the configuration file)

Display garbled

- Check all data and command pins are wired correctly and that these match the setting in the configuration file.
- Check the datasheet for your panel to verify appropriate timing values are set in the configuration file.

Using fonts

There is a free java application available that can convert PC fonts for use with this library. The software is called FontCreator2 and it can produce a header file that can be included in your sketch. The header files should be placed in the directory named fonts and included in your sketch. For example, if you create a font named myfont in a header named myfont.h then copy myfont.h to the fonts directory and in your sketch:

```
#include "fonts/myfont.h"          // system font
```

To use the font in your sketch you select the font as follows:

```
GLCD.SelectFont(myfont);    // use myfont
```

Note that the distribution contains a file named allFonts.h that includes all the distributed fonts, so you can include these files instead of explicitly including the individual fonts

```
#include "fonts/allFonts.h"      // all distributed fonts
```

Font definitions are stored in program memory and this can be significant for larger fonts. The 7 pixel high system font uses under 500 bytes, the supplied Arial14 font uses 1200 bytes of program memory

Using bitmaps

You can use the distributed bitmaps or create your own. The distribution contains a file named allBitmaps.h that includes all the distributed bitmaps, so you can include this to make the bitmaps available:

```
#include "bitmaps/allBitmaps.h" // all distributed bitmaps
```

Note that included bitmaps will not consume any memory if they are not explicitly referenced in your sketch with the `DrwBitmap` function.

You can also display your own images in your sketch. A utility named `glcdMakeBitmap` converts a gif, jpg, bmp, tga or png file to a header file that can be read by the `glcd` library. `glcdMakeBitmap.pde` is a sketch that can be run using the Processing environment (its in the `bitmaps/utills/glcdMakeBitmap` directory. For more information on Processing, see: <http://processing.org/>

There is a java runtime file (`glcdMakeBitmap.jar`) and java source (`glcdMakeBitmap.java`) in the `bitmaps/utills/Java` directory

Run the utility by loading the pde into Processing (or click on the jar file) and drag and drop the image file to be converted into the window.



`glcdMakeBitmap` window after dropping an image named `arduinoIcon`.

If the image can be converted, a header file is created in the bitmap directory.

For example, if the image file name to be converted is named `image.bmp`, the header is named `image.h`

Add the following line to the sketch:

```
#include "bitmaps/image.h"
```

and display the image using the following code:

```
GLCD.DrawBitmap(image, x, y);
```

where `x` and `y` are the desired location of the upper left edge of the bitmap.

Images are stored in program memory, a 128x64 pixel image takes 1k bytes of flash.

Bear in mind that each different image used in a sketch will reduce the amount of code available to a sketch. `glcdMakeBitmap` displays the amount of memory required for the image and other useful information when it does the conversion.

Migrating your sketch from ks0108 to the new GLCD library

The GLCD library is an extensive modification of the `ks0108` library. It now supports more chips and is easier to integrate with different panels. The graphical functions are backwards compatible (except where noted) so existing sketches should work with little or no modification to the code.

The configuration mechanism has been changed to facilitate use with a broad range of GLCD chips and ATmega controllers. If your wiring does not match the default pin

assignments you will need to need to modify the configuration files in the new library to match your wiring.

The distribution includes the system font and arial14 fonts that were distributed with the previous version, but these are now in a subdirectory called 'fonts' so you will need to modify the include statement:

```
change
#include "SystemFont5x7.h"          // system font
to
#include "fonts/SystemFont5x7.h"    // system font
```

Bitmaps are now in a bitmaps subdirectory and the file names include the width and height; so change :

```
#include "ArduinoIcon.h" // the bitmap distributed with the ks0108 lib
To
#include "bitmaps/ArduinoIcon64x64.h" // 64x64 bitmap
```

The ArduinoIcon.h bitmap file was renamed to ArduinoIcon64x64.h to differentiate it from other size bitmaps supplied for panels of different pixel dimensions.

If you are using any of the following functions you should either change the code use the new function or include glcd_Deprecated.h file that will convert the old function name to the new function.

```
DrawVertLine(x, y, length, color) is now: DrawVLine(x, y, length, color)
DrawHoriLine(x, y, length, color) is now : DrawHLine(x, y, length, color)
ClearSysTextLine(row) is now EraseTextLine(row)
```

The character output functions behave differently in the new library.

The new library now sets or clears all pixels of a font (glyph), the old library did not consistently erase pixels in the whitespace below the glyph.

This means that if there are graphics very close below the character they may be overwritten with the new text output code.

The workaround is to either move the graphics objects so they are not cleared when the text is written or to draw the graphical objects after the text is displayed.

Another change is the way a string wraps on the newline character. The old library wrapped to the column where the string started, the new library now wraps to the beginning of the text area. See the section on Text Areas to see how you can use this new capability to control where text will wrap on the display.

See the section on Configuration for details on the new configuration files. You can use the same wiring as the old library but the configuration file format has changed. The ks0108_Config.h file included in the distribution uses exactly the same pins as the ks0108_Arduino.h file supplied with the old library, but if you changed the Arduino pin numbers you will need to modify ks0108_Config to match your wiring.

GLCD Methods:

Here is a summary of the methods supported by this library.

Note that all coordinates start from 0 unless otherwise noted. 0,0 is the pixel on the upper left edge of the screen

Table of contents

GLCD Graphical LCD library	1
Wiring and Configuration:	2
Configuration	7
AVR port and pin numbers.....	8
Troubleshooting	9
Using fonts	9
Using bitmaps	9
Migrating your sketch from ks0108 to the new GLCD library	10
GLCD Methods:	12
Init().....	13
SetDisplayMode().....	13
ClearScreen().....	14
ReadData()	14
WriteData().....	14
Drawing Functions	15
Coordinate system.....	15
Properties.....	15
Colors.....	16
GotoXY().....	16
SetDot().....	16
DrawVLine().....	16
DrawHLine().....	17
DrawLine()	17
DrawRect().....	17
FillRect().....	18
InvertRect().....	18
DrawRoundRect().....	19
DrawCircle.....	19
FillCircle().....	19
DrawBitmap().....	20
Text Functions	20
SelectFont().....	20
SetFontColor().....	20
SetTextMode().....	20
ClearArea().....	21
EraseTextLine(row).....	21
EraseTextLine().....	21
CursorToXY().....	21
Arduino print functions.....	22

Text Areas.....	22
DefineArea().....	23
Enhanced print functions.....	24
printFlash ().....	24
printFlashln ().....	24
Printf ().....	24
Printf_P ().....	24
CharWidth().....	25
StringWidth().....	25
StringWidth_P().....	25
Legacy text output functions	25
PutChar().....	25
Puts().....	26
PrintNumber().....	26
Puts_P().....	26

Init()

Description: This should be called in setup to initialize the library prior to calling any other function.

The display is cleared and ready for use after calling Init.

Syntax

```
GLCD.Init();           // initialize the library to draw dark pixels on a light
background
GLCD.Init(NON-INVERTED); // same as above
GLCD.Init(INVERTED);  // initialize the library to draw light pixels on a dark
background
```

Parameters

Init with no parameter is the standard initialization, this is identical to: Init(NON-INVERTED)

Init(INVERTED) will invert dark and light pixels when drawn

SetDisplayMode()

Description: sets the graphical state to normal (BLACK colored pixels are dark), or inverted (WHITE colored pixels are dark)

Syntax

```
GLCD.SetDisplayMode(NON_INVERTED); // sets the state to normal
GLCD.SetDisplayMode(INVERTED);    // sets the state to inverted
```

(Note this function was named SetInverted() in the previous library releases)

ClearScreen()

Description: Erases all screen pixels (pixels from 0,0 to GLCD.Width-1,GLCD.Height-1)

Syntax

```
GLCD.ClearScreen(); // sets all pixels to WHITE (if NORMAL mode or BLACK if
INVERTED)
GLCD.ClearScreen(WHITE); // same as above
GLCD.ClearScreen( BLACK); // clears screen writing BLACK pixels
```

Note: If the display is in INVERTED mode, then the color WHITE will paint the screen BLACK and the color BLACK will paint the screen WHITE.

ReadData()

Description: Returns the data byte at the current x,y location

Syntax:

```
GLCD.ReadData(); // return the byte of data at the current x,y location
```

See also: GotoXY();

WriteData()

Description: Writes the given byte of data at the current x,y location

Syntax:

```
GLCD.WriteData( data);
```



Drawing Functions

Coordinate system

0,0 is the upper left edge of the display.

GLCD.Width is the width of the display in pixels

GLCD.height is the height of the display in pixels

GLCD.Right is the right-most pixel (equals GLCD.Width-1)

GLCD.Bottom is the bottom pixel (equals GLCD.Height-1)

GLCD.CenterX is the horizontal center (equals GLCD.Width/2)

GLCD.CenterY is the vertical center (equals GLCD.Height/2)

Properties

GLCD.Width - the display width in pixels

GLCD.Heigh - the display height in pixels

GLCD.Right - the display width -1

GLCD.Bottom - the display height -1

GLCD.CenterX - half of the display width
GLCD.CenterY- half of the display height

Colors

Two colors are supported in this version.
BLACK is a dark pixel, WHITE is a pixel that is not dark
BLACK is the default color

GotoXY()

Description: moves the graphics cursor to the given x,y coordinates.

Syntax

```
GLCD.GotoXY(x,y);
```

Parameters

x – a value from 0 to GLCD.Width-1
y - a value from 0 to GLCD.Height-1

SetDot()

Description: sets the pixel at the given x,y coordinate to the given color

Syntax

```
GLCD.SetDot(x,y, BLACK); // draws a BLACK pixel at x,y  
GLCD.SetDot(x,y, WHITE); // erases the pixel at x,y
```

Parameters

x – a value from 0 to GLCD.Width-1
y - a value from 0 to GLCD.Height-1

DrawVLine()

Description: Draws a vertical line

Syntax

```
GLCD.DrawVertLine(x, y, height); // draws a BLACK line from x,y to x, y + height  
GLCD.DrawVertLine(x, y, height, BLACK); // as above  
GLCD.DrawVertLine(x, y, height, WHITE); // as above but the pixels on the line are  
erased
```

Parameters

x – a value from 0 to GLCD.Width-1
y - a value from 0 to GLCD.Height-1
height – a value from 1 to GLCD.Height-y-1
BLACK or WHITE is an optional parameter indicating pixel color, default is BLACK

(Note this function was named DrawVertLine() in the previous library releases)

DrawHLine()

Description: Draws a horizontal lines

Syntax

```
GLCD.DrawHoriLine(x, y, width); // draws a BLACK line from x,y to x + width , y
GLCD.DrawHoriLine(x, y, width, BLACK); // as above
GLCD.DrawHoriLine(x, y, width, WHITE); // as above but the pixels on the line are
erased
```

Parameters

x – a value from 0 to GLCD.Width-1

y - a value from 0 to GLCD.Height-1

width – a value from 1 to GLCD.Width-x-1

BLACK or WHITE is an optional parameter indicating pixel color, default is BLACK

(Note this function was named DrawHoriLine() in the previous library releases)

DrawLine()

Description: Draws a line between two coordinates.

Syntax

```
GLCD.DrawLine( x1, y1, x2, y2; // draws a BLACK line from x1,y1 to x2,y2
GLCD.DrawLine( x1, y1, x2, y2, BLACK); // as above
GLCD.DrawLine( x1, y1, x2, y2, WHITE); // as above but the pixels on the line are
erased
```

Parameters

x1 – a value from 0 to GLCD.Width-1 indicating start x coordinate

y1 - a value from 0 to GLCD.Height-1 indicating start y coordinate

x2 – a value from 0 to GLCD.Width-1 indicating end x coordinate

y2 - a value from 0 to GLCD.Height-1 indicating end y coordinate

BLACK or WHITE are optional parameters specifying pixel color, default is BLACK

DrawRect()

Description: Draws a rectangle of given width and height

x,y is the upper left edge of the rectangle

The lower right edge is at x+width, y+height

Note that the length of the horizontal sides will be width+1 pixels, the vertical sides will be height+1 pixels

Syntax

```
GLCD.DrawRect( x, y, width, height);           // draws a BLACK rectangle of given
width and height starting at x,y
GLCD.DrawRect( x, y, width, height, BLACK);    // as above
GLCD.DrawRect( x, y, width, height, WHITE);    // as above but the rectangle pixels
are erased
```

Parameters

x, y – the x,y coordinates of the rectangle to be drawn
width, height – the width and height of the rectangle

FillRect()

Description: Fills the interior of a rectangle specified by a pair of coordinates, a width, and a height.

The left and right edges of the rectangle are at x and x + width - 1.

The top and bottom edges are at y and y + height - 1.

The resulting rectangle covers an area width pixels wide by height pixels tall starting from the pixel at x,y.

The rectangle is filled using the given color (BLACK if none given)

(Note that FillRect behavior has changed from the previous versions of the library. The filled rectangle will be one pixel smaller in width and height than the old version. This change was to make the functionality consistent with the way Java and C# create filled rectangles)

Syntax

```
GLCD.FillRect( x, y, width, height);
GLCD.FillRect( x, y, width, height, BLACK);    // as above
GLCD.FillRect( x, y, width, height, WHITE);    // as above but the rectangle pixels are
erased
```

InvertRect()

Description: Sets BLACK pixels WHITE and WHITE pixels BLACK within the given rectangular area.

The left and right edges of the inverted area are at x and x + width - 1.

The top and bottom edges are at y and y + height - 1

Syntax

```
GLCD.InvertRect( x, y, width, height);        // inverts pixels in the given rectangular area
```

Parameters

As FillRect but without the color parameter

DrawRoundRect()

Description: Draws a rectangle with rounded corners

Syntax

```
GLCD.DrawRoundRect( x, y, width, height, radius); // draws a BLACK rectangle
similar to DrawRect but with corners of the given radius
GLCD.DrawRoundRect( x, y, width, height, radius, BLACK); // as above
GLCD.DrawRoundRect( x, y, width, height, radius, WHITE); // as above but the
rectangle pixels are erased
```

Parameters

x,y,width,height as DrawRectangle

radius- a value from 1 to half the height or width of the rectangle

DrawCircle

Description: Draws a circle centered at x,y with the given radius

The circle will fit inside a rectangular area bounded by x-radius,y-radius and x+radius,y+radius

Note that because the circle is drawn from the center pixel out, the diameter will be 2 * radius +1 pixels.

Syntax

```
GLCD.DrawCircle( x, y, r); // draws a BLACK circle centered at x,y with radius r
GLCD.DrawCircle( x, y, r, BLACK); // as above
GLCD.DrawCircle( x, y, r, WHITE); // draws a WHITE circle centered at x,y with
radius r
```

Parameters

x – a value from 0 to GLCD.Right (GLCD.Width-1)

y - a value from 0 to GLCD.Bottom (GLCD.Height-1)

radius- a value from 1 to half the height or width of the rectangle

FillCircle()

Description: Draws a filled in circle centered at x,y with the given radius

Syntax and Parameters

see DrawCircle

DrawBitmap()

Description: Draws a bitmap image with the upper left edge at the x,y coordinates. Bitmap data is in program memory (Flash)
A utility for creating bitmap header files, glcdMakeBimtap, is supplied with the download

Syntax

```
GLCD.DrawBitmap(*bitmap, x, y);  
GLCD.DrawBitmap(*bitmap, x, y, BLACK); // as above  
GLCD.DrawBitmap(*bitmap, x, y, WHITE); // inverts pixels
```

Text Functions

SelectFont()

Description: Selects the font definition as the current font. Subsequent printing functions will use this font. Font definitions are stored in program memory.
You can have as many fonts defines as will fit in program memory and can switch between them with this function.

Syntax

```
GLCD.SelectFont( font );           // font is a font pointer defined in a font definition  
file. Output is rendered using dark pixels.  
GLCD.SelectFont( font, BLACK) // as above  
GLCD.SelectFont( font, WHITE) // printed output rendered as WHITE pixels
```

SetFontColor()

Description: Sets the color of the currently selected font.

Syntax

```
GLCD.SetFontColor( BLACK) // printed output rendered as BLACK pixels  
GLCD.SetFontColor( WHITE) // printed output rendered as WHITE pixels
```

GLCD.SetTextMode()

Description: // Sets the given text mode (currently only scroll direction is supported)

Syntax

```
GLCD.SetTextMode(SCROLL_UP) // normal scroll direction, old lines scroll up  
GLCD.SetTextMode(SCROLL_DOWN) // reverse scroll direction, old lines scroll down
```

SetTextMode()

Description: // Sets the given text mode (currently only scroll direction is supported)

Syntax

```
GLCD.SetTextMode(SCROLL_UP) // normal scroll direction, old lines scroll up
GLCD.SetTextMode(SCROLL_DOWN) // reverse scroll direction, old lines scroll down
```

ClearArea()

Description: clears the current text area using the current font background color. The cursor is set to the upper left corner.

Syntax

```
GLCD.ClearArea(); // clears the text area and sets the cursor to the upper left corner of
the text area
```

EraseTextLine(row)

Description: clears all text on the given row within the text area, moves the cursor to the left position.

EraseTextLine()

Description: clears text on the current line, default is to clear from the cursor to the end of the text area

Syntax

```
GLCD.EraseTextLine(); // erase from cursor to end of line
GLCD.EraseTextLine(eraseTO_EOL); // as above
GLCD.EraseTextLine(eraseFROM_BOL); // erase from beginning of line to cursor
GLCD.EraseTextLine(eraseFULL_LINE); // erase the entire line
```

CursorTo()

Description: move the cursor to the given row and column. When variable width fonts are used, the column calculation uses the width of the widest character.

Syntax

```
GLCD.CursorTo( column, row); // 0 based coordinates for character columns and rows
```

CursorToXY()

Description: moves the text cursor to the coordinates given by x,y relative to the upper left corner.

Syntax

```
GLCD.CursorToXY( x,y);
```

```
DrawString(str, x, y);
```

Description: prints the given string of characters starting from the given x and y coordinates. The coordinates are relative to the text area- use a text area covering the full

display if you want the x,y parameters to be the same as the coordinates for Graphical functions like GotoXY.

DrawString_P(ProgMemString, x, y);

Description: as above but the string is defined in Program memory (flash)

Arduino print functions

All of the Arduino print functions can be used in this library, see:

<http://www.arduino.cc/en/Serial/Print>

The functions work with any selected font.

All of these functions print from the current cursor position (see GotoXY and CursorTo)

GLCD. print(character); // prints the character at the current cursor position

GLCD. print(integer); // prints the decimal value of the integer

GLCD. print(integer,DEC); // as above

GLCD. print(integer, HEX); // prints the hexadecimal value of the integer

GLCD. print(integer, OCT); // prints the octal value of the integer

GLCD. print(integer, BIN); // prints the binary value of the integer

GLCD. print(integer, BYTE); // prints the ASCII character represented by the integer

GLCD. print(float); // prints a floating point number using two decimal places

GLCD. print(float, digits); // prints a floating point number using the given number of digits after the decimal point

GLCD. print(string); // prints the string

The println variants of these functions are also supported. GLCD. println(variable); will wrap to the next line at the end of the print.

Printing strings can consume a lot of RAM. Printing strings using the flashStr prefix results in the compiler using flash rather than RAM to store the string

GLCD. print("string"); // string stored in RAM: the compiler reserves 7 bytes of RAM (string length + 1) to store the string

GLCD. print(flashStr("string")); // stores the string in Flash memory (Progmem), no RAM is used to store the string

GLCD. println(flashStr("another string")); // as above, but wraps following text to the next line

Text Areas

All of the text functions described above can be applied to a select rectangular area of the screen, called a text area.

A text area acts like a virtual terminal and text output is displayed within the confines of a rectangle given in the DefineArea command.

For example:

```
gText textTop = gText(textAreaTOP); // create a text area covering the top half of the display
gText myTextArea = gText(GLCD.CenterX-16, GLCD.CenterY -16, GLCD.CenterX+16, GLCD.CenterY+16); // create a text area covering the center 32 pixels of the display
```

All of the text functions operate on a text area by using the text area name instead of 'GLCD', for example:

```
textTop.SelectFont(System5x7); // select the system font for the text area name textTop
textTop.println("a line of text"); // print a line of text to the text area.
```

See the download sketches for more example usage.

Text Areas are created using one of the three Define Area methods described below:

DefineArea()

Description: defines the rectangular area for text output.

The rectangular area can be specified using either: a predefined area , an area determined by a given number of rows and columns of the given font, or a rectangular area specified by the upper left and lower right pixel coordinates.

Syntax

```
DefineArea( preDefinedArea, scrollDirection); // create a text area using one of the predefined values
```

preDefinedArea is one of: textAreaFULL, textAreaTOP, textAreaBOTTOM, textAreaLEFT, textAreaRIGHT, textAreaTOPLEFT, textAreaTOPRIGHT, textAreaBOTTOMLEFT, textAreaBOTTOMRIGHT.

scrollDirection can be SCROLL_UP or SCROLL_DOWN, if scrollDir is omitted the direction will be SCROLL_UP.

```
DefineArea( x1, y1, columns, rows, font, scrolldirection);
```

As above but the height and width of the area is determined by the number of columns and rows for the given font.

For proportional (variable width) fonts, the width of widest character is used.

```
DefineArea( x1, y1, x2, y2, scrollDir); (or width,height as you prefer
```

As above but x1, y1, x2, y2, determine the rectangular area of the text window

All of the Text functions listed above can be used with user defined areas. The following fragment (from the glcdDemo example sketch) creates a text area in the center of the screen using the Arial_14 font that is holds a single character (one column wide by one row high):

```
gText countdownArea = gText(GLCD.CenterX, GLCD.CenterY,1,1,Arial_14); //  
declare text area for a single digit
```

```
countdownArea.ClearArea(); // clear the text area  
countdownArea.print(count); // print a digit in the text area
```

Enhanced print functions

printFlash ()

Description: Allocates and prints a string in Flash (program memory)

Syntax

```
GLCD.printFlash(string);
```

printFlashln ()

Description: As printFlash but wraps following text to the next line

Syntax

```
GLCD.printFlashln( string);
```

Printf ()

Description: Writes a sequence of data formatted as specified by the format argument. The format string uses standard printf() formatting % tags, but floating point is not supported.

Syntax

```
GLCD.Printf( format, arguments ...);
```

The format string contains text or optional embedded format tags. The argument list types must match the format tags.

Users not already familiar with using printf are advised that the standard Arduino print functions are simpler to use.

Printf_P ()

Description: as Printf above but the format string is stored in Flash instead of RAM

Syntax

```
GLCD.Printf_P( format, arguments ...);
```

See Printf()

CharWidth()

Description: returns the width in pixels of the given character including any inter-character gap pixels following the character when rendered on the display.

Syntax

```
byte width = GLCD.CharWidth(c);
```

StringWidth()

Description: returns the width in pixels of the given string in the currently selected font

Syntax

```
byte width = GLCD.StringWidth(string);
```

StringWidth_P()

Description: returns the width in pixels of the given string stored in program memory

Syntax

```
byte width = GLCD.StringWidth_P(PgmString);
```

Legacy text output functions

The following functions are supported for backward compatibility with previous library versions, the GLCD.print functions are compatible with Serial.print routines.

and have more functionality.

PutChar()

Description: prints the given character at the current cursor position. It is suggested that the Arduino print character function, GLCD.print(character) is used in new applications – it has identical functionality with the benefit of similar syntax to other arduino print methods.

Note that there is a subtle difference in the way this function handles the newline character compared to the ks0108 library. The old PutChar() would treat the newline character just like any other character and since many fonts don't have a glyph defined for the newline its would be thrown away.

The new PutChar() does newline processing and will wrap and potentially scroll the text window.

Syntax

```
GLCD.PutChar(c); // print the character c at the current cursor position (same as GLCD.print(c);
```

Puts()

Description: prints the given string of characters starting from the current cursor position. Note that the old library would process newlines in Puts(). It would wrap to the text line below the current line but back to the X position where string printing started.

The new code lets PutChar() process the newlines and so a new line will wrap to the line below but will wrap to the start X position of the text window rather than the X position when the Puts() started.

Also, the old Puts() assumed zero padding below a font while the new Puts() handles padding consistently across all the functions.

So the new Puts()/Putchar() will wrap 1 pixel lower than the old Puts() routine.

Syntax

```
GLCD. Puts(string); // // print the string at the current cursor position (same as  
GLCD.print(string);
```

PrintNumber()

See GLCD.print(number);

Puts_P()

Description: prints a string stored in program memory starting from the current cursor position.

Syntax

```
GLCD. Puts_P(progMemString);
```

Note that the string being printed must already be defined as a program memory string. See also printFlash which allocates and prints the string in program memory