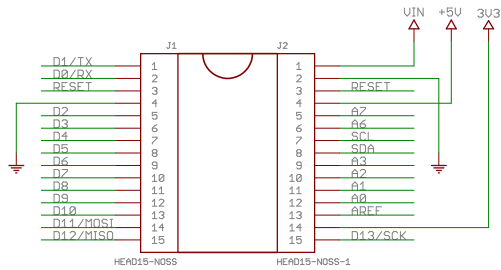


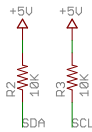
arduSTICK

Copyright 2011 under the Creative Commons Attribution Share-Alike 3.0 License
 CC BY-SA - <http://creativecommons.org/licenses/by-sa/3.0/>

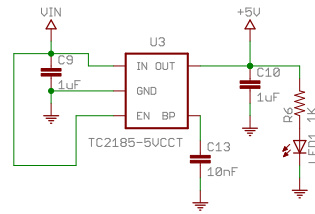
Header connector



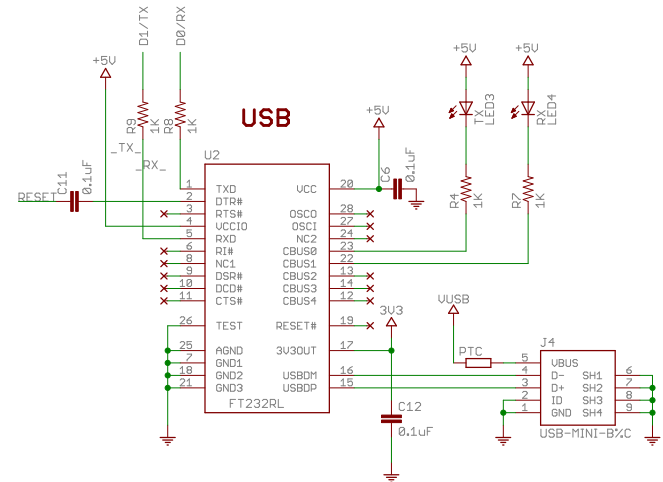
I2C



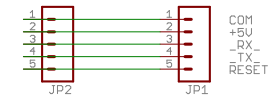
5V Volt Regulator



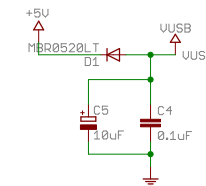
USB



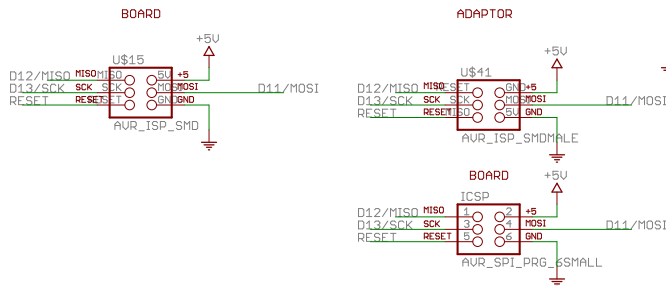
USB Board Connector



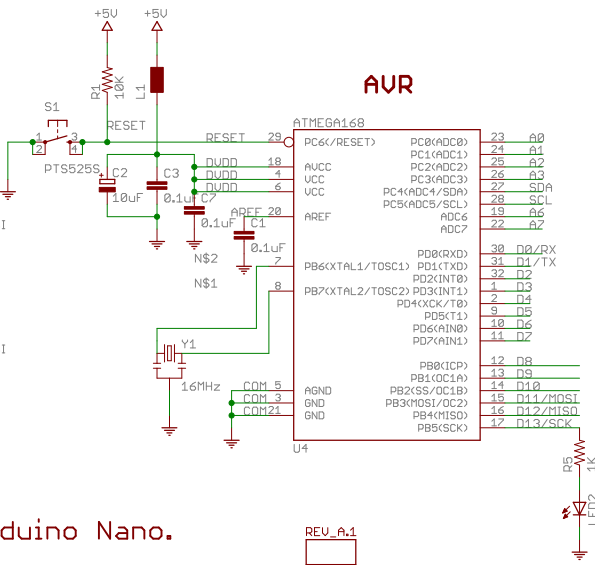
5V Detector



ISP



AVR



arduSTICK, inspired in the original Arduino Nano.

REV_A.1
arduSTICK

F. Malpartida - electroFUN LTD ☒☒☒☒	
TITLE: arduSTICK	
Document Number:	REV: A.1
Date: 12/10/11 23:31	Sheet: 1/1