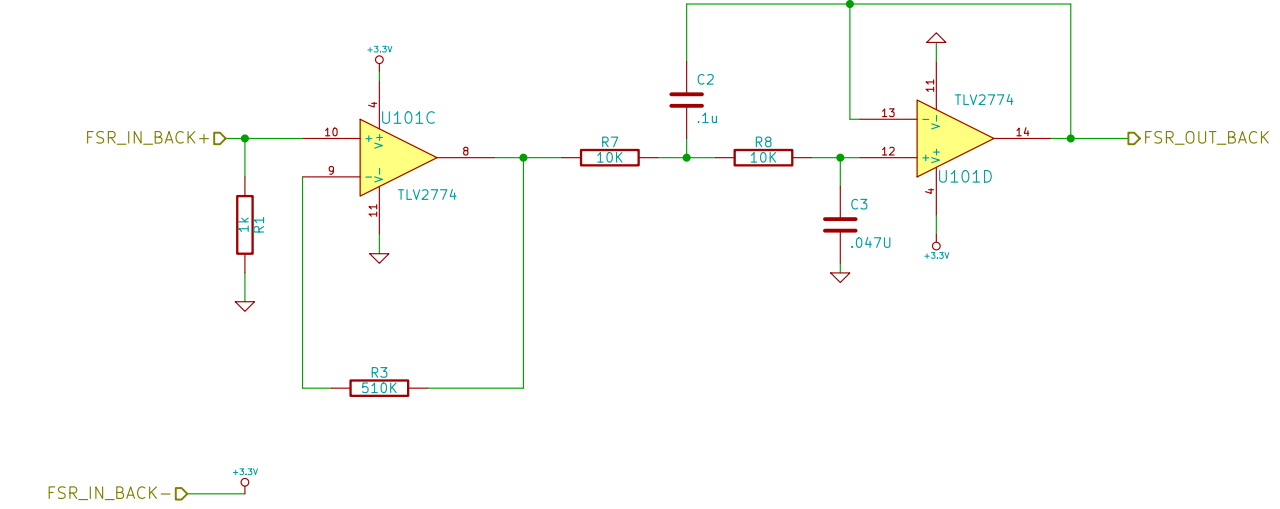
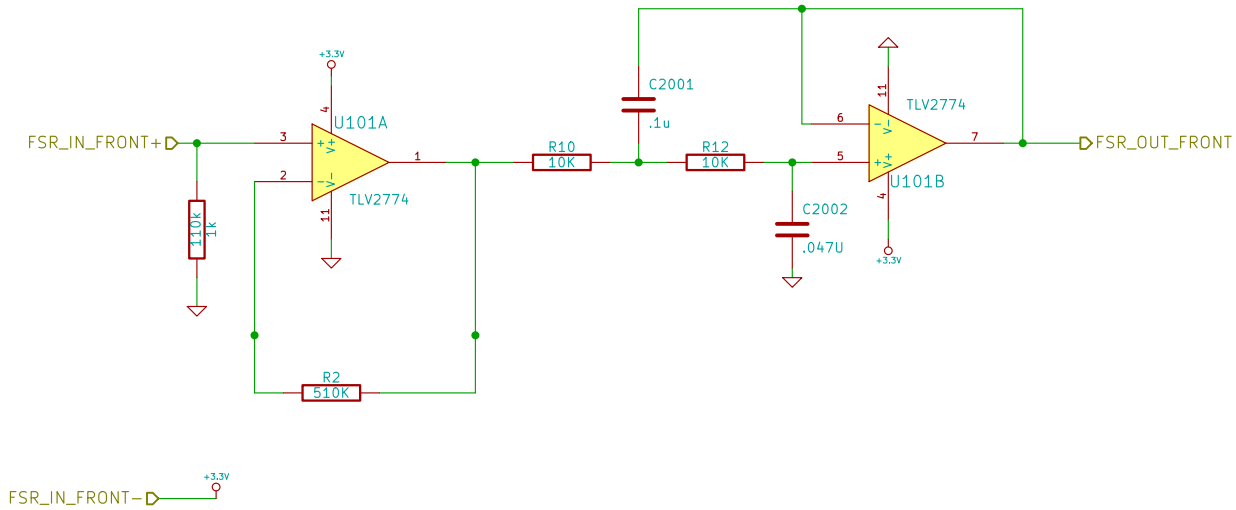
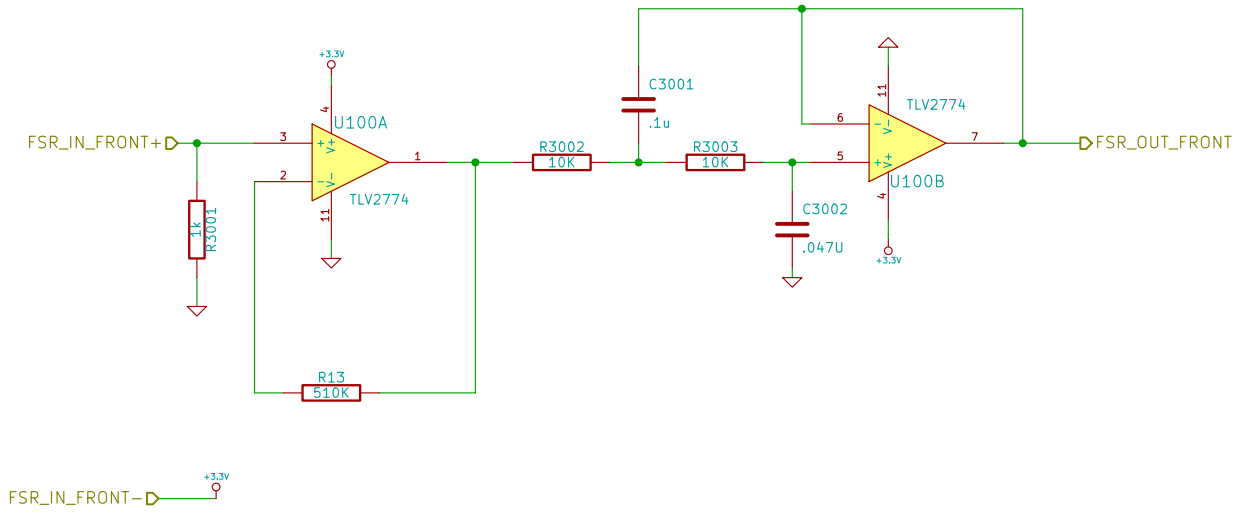


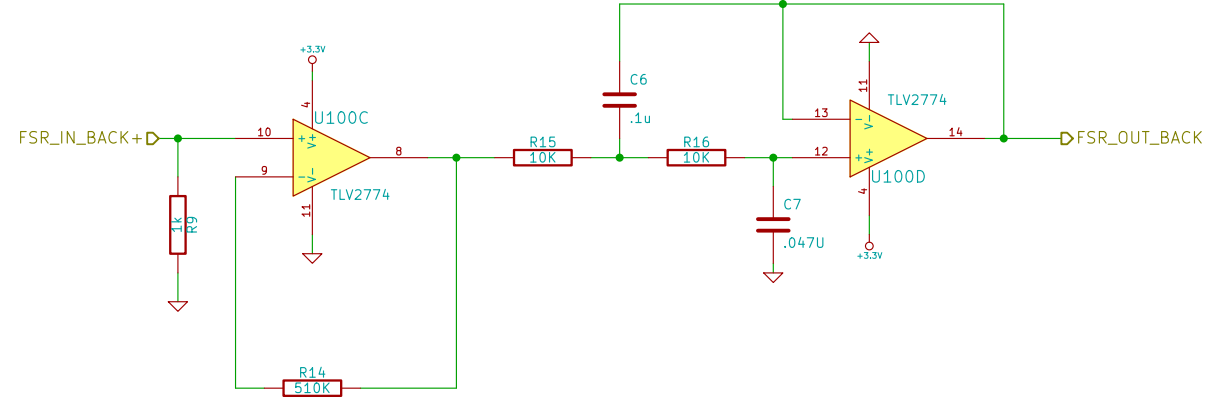
Initial sensor shield with all equipment		
University of Pittsburgh		
File: angait.sch		
Sheet: /		
Title: Angait Sensor Shield		
Size: A4	Date: 8 mar 2013	Rev: 1
KiCad E.D.A.		Id: 1/9



File: fsr_left.sch	
Sheet: /FSR-LEFT/	
Title:	
Size: A4	Date: 8 mar 2013
KiCad E.D.A.	Rev: Id: 2/9

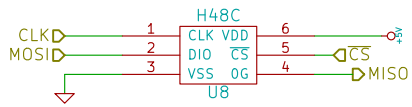


FSR_IN_FRONT- \rightarrow +3.3V

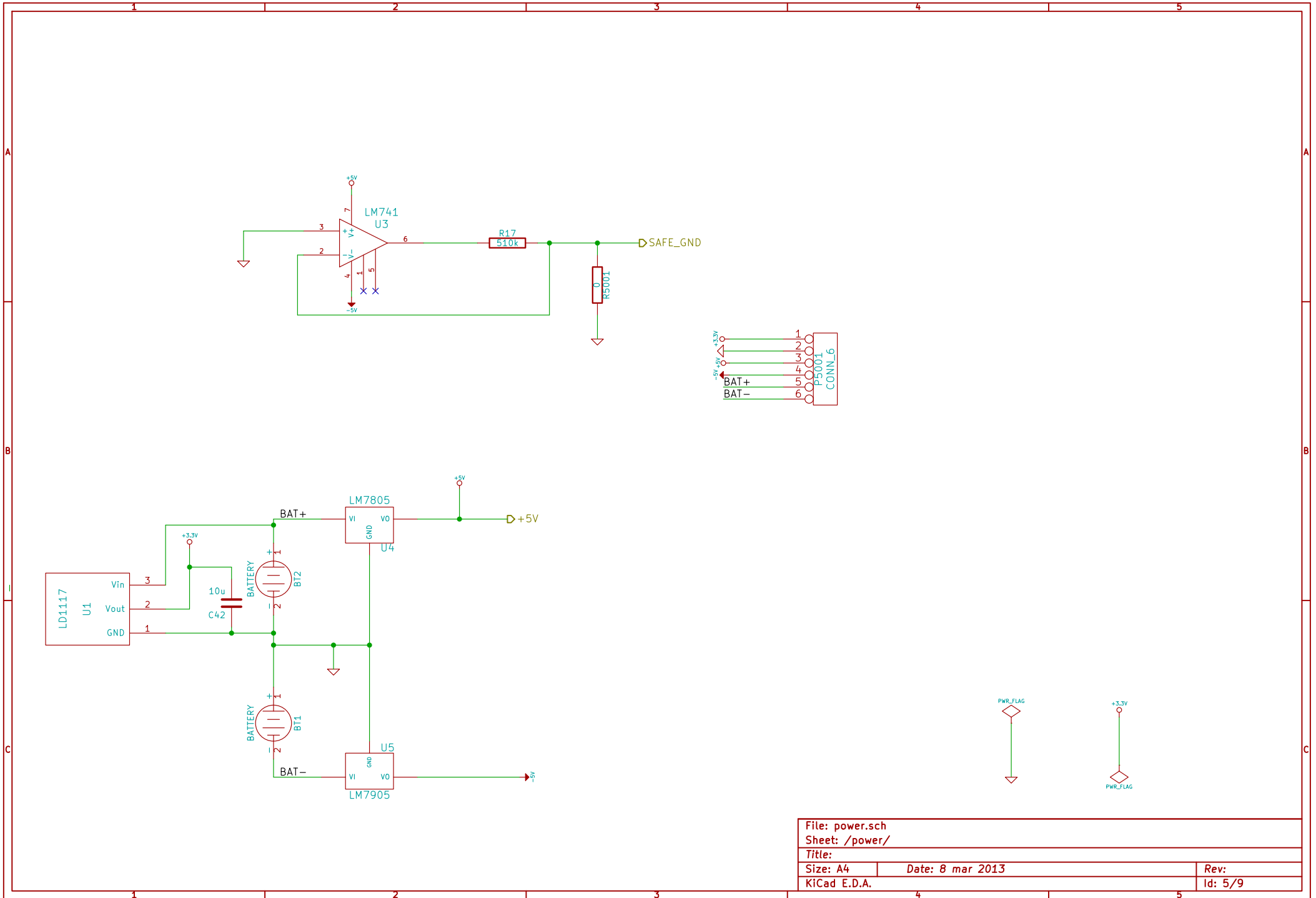


FSR_IN_BACK- \rightarrow +3.3V

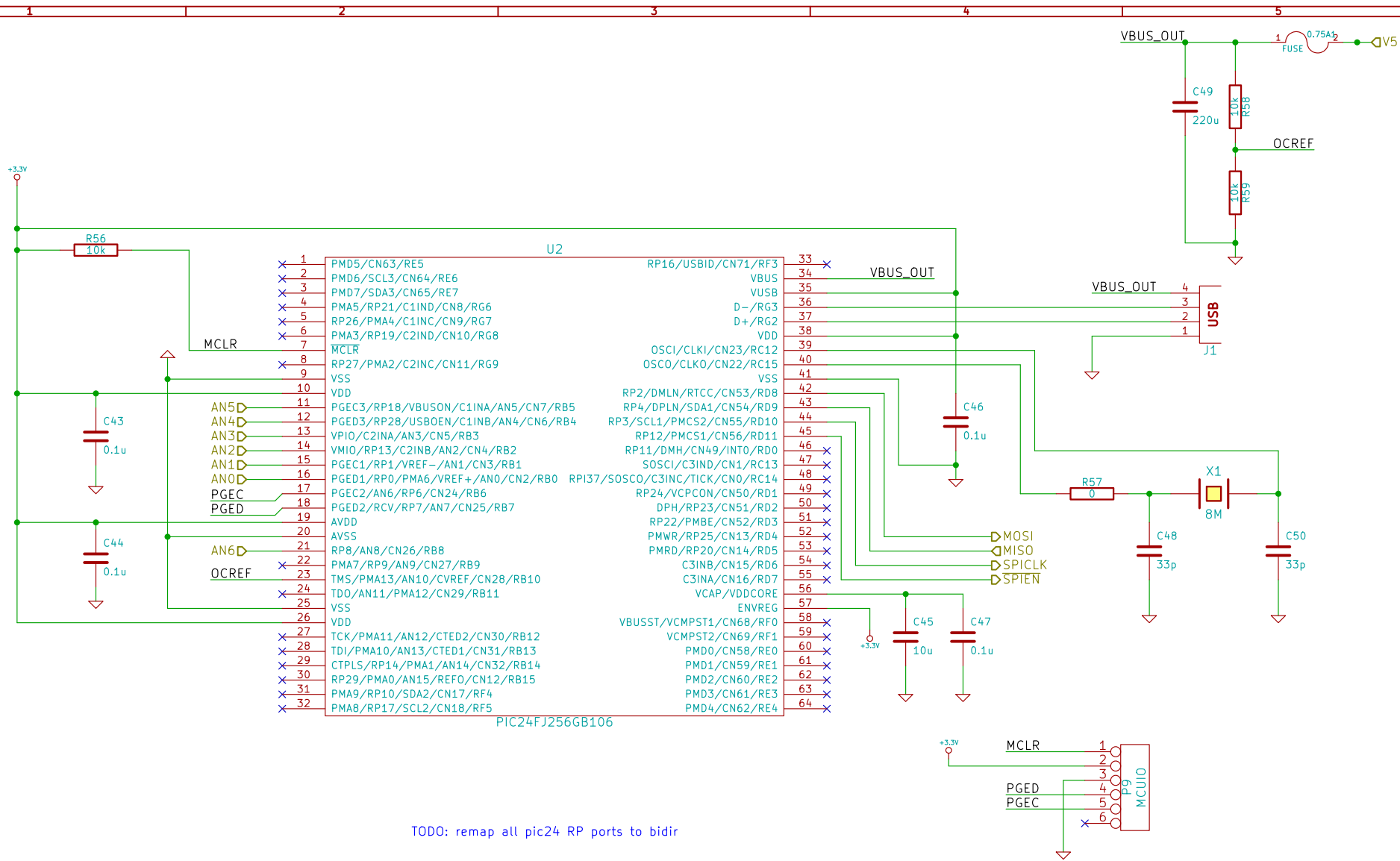
File: fsr.sch	
Sheet: /FSR-RIGHT/	
Title:	
Size: A4	Date: 8 mar 2013
KiCad E.D.A.	Rev: Id: 3/9



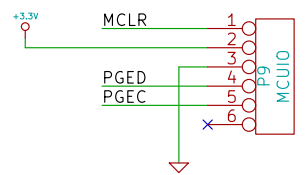
File: h48c.sch	
Sheet: /H48C/	
Title:	
Size: A4	Date: 8 mar 2013
KiCad E.D.A.	Rev: 4/9



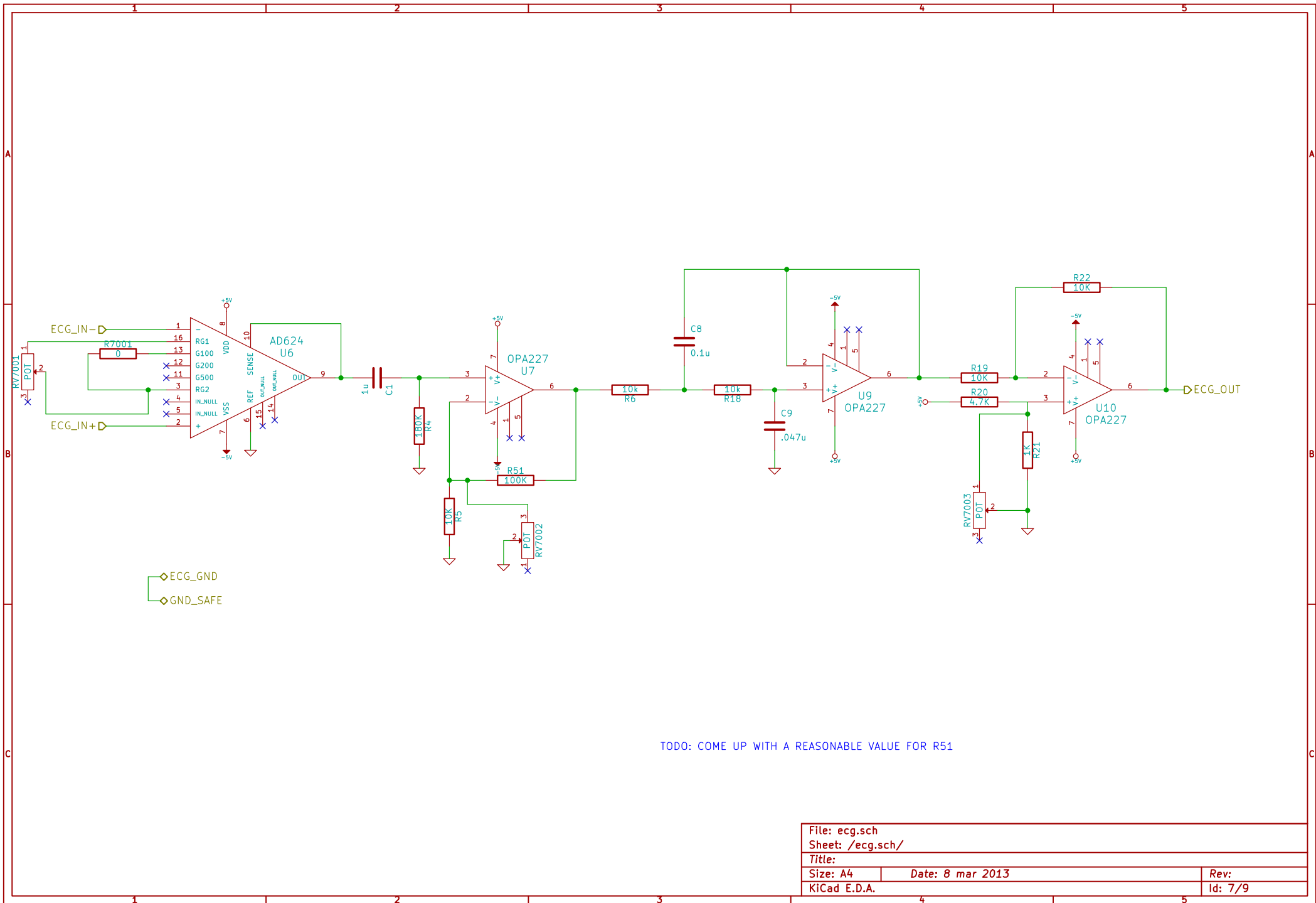
File: power.sch	
Sheet: /power/	
Title:	
Size: A4	Date: 8 mar 2013
KiCad E.D.A.	Rev: Id: 5/9



TODO: remap all pic24 RP ports to bidir



File: mcu.sch		Sheet: /MCU/	
Title:			
Size: A4	Date: 8 mar 2013	Rev:	
KiCad E.D.A.		Id: 6/9	



File: ecg.sch		Rev:	
Sheet: /ecg.sch/		Id: 7/9	
Title:		Date: 8 mar 2013	
Size: A4	KiCad E.D.A.		

RESP_IN-D

+3.3V

R? 20k

10k R?

U? TLV2771

RESP_IN+D

590k R?

1k R?

C10 .44u

R23 510k

U103A TLV2772

R24 10k

C11 .1u

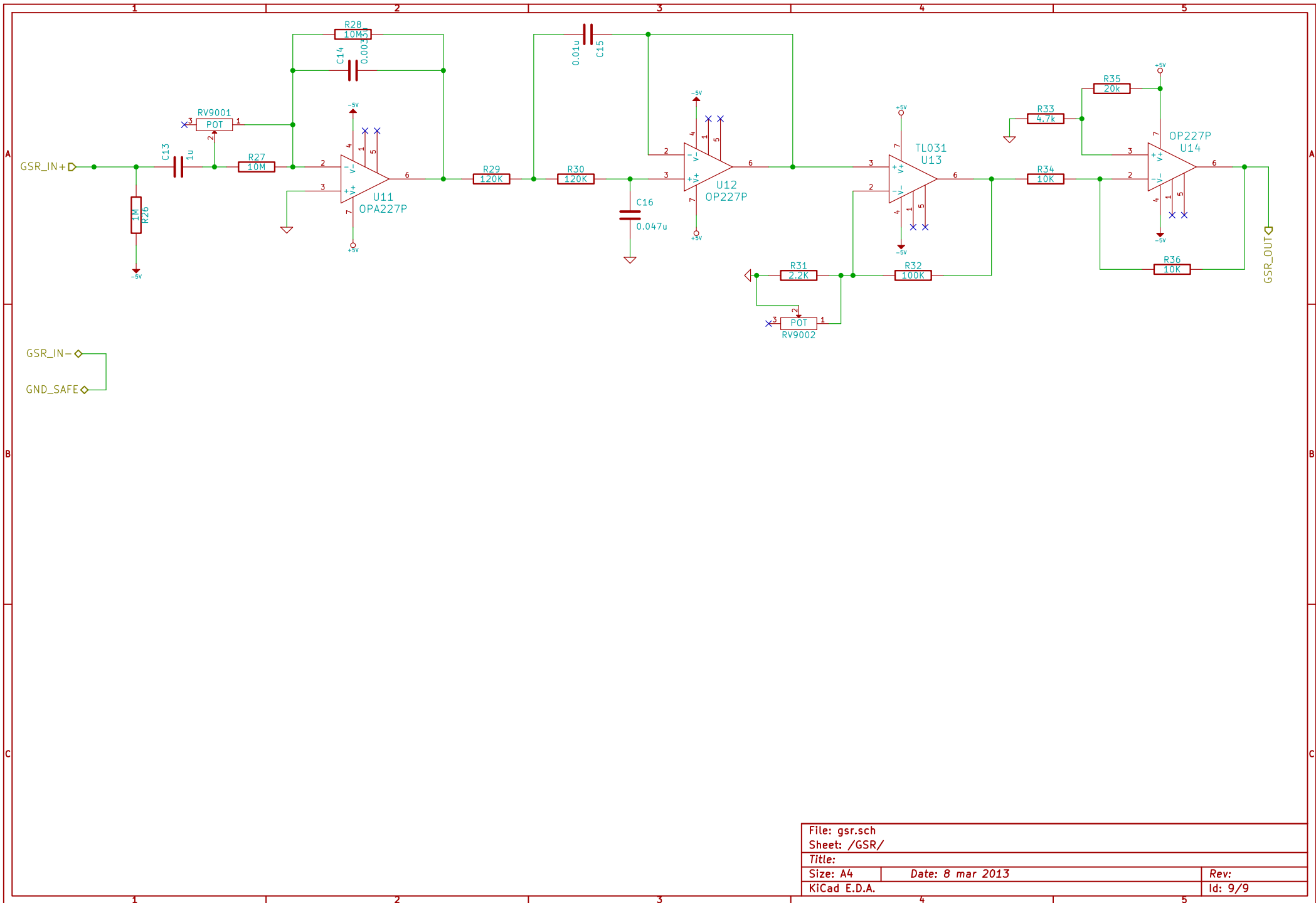
R25 10k

C12 .047u

U103B TLV2772

U? TLV2771

File: respiratory_belt.sch	
Sheet: /respiratory_belt/	
Title:	
Size: A4	Date: 8 mar 2013
KiCad E.D.A.	Rev: 8/9



File: gsr.sch	
Sheet: /GSR/	
Title:	
Size: A4	Date: 8 mar 2013
KiCad E.D.A.	Rev: 9/9