

ALL UNITS IN INCHES

TITLE:

BASE MOUNT

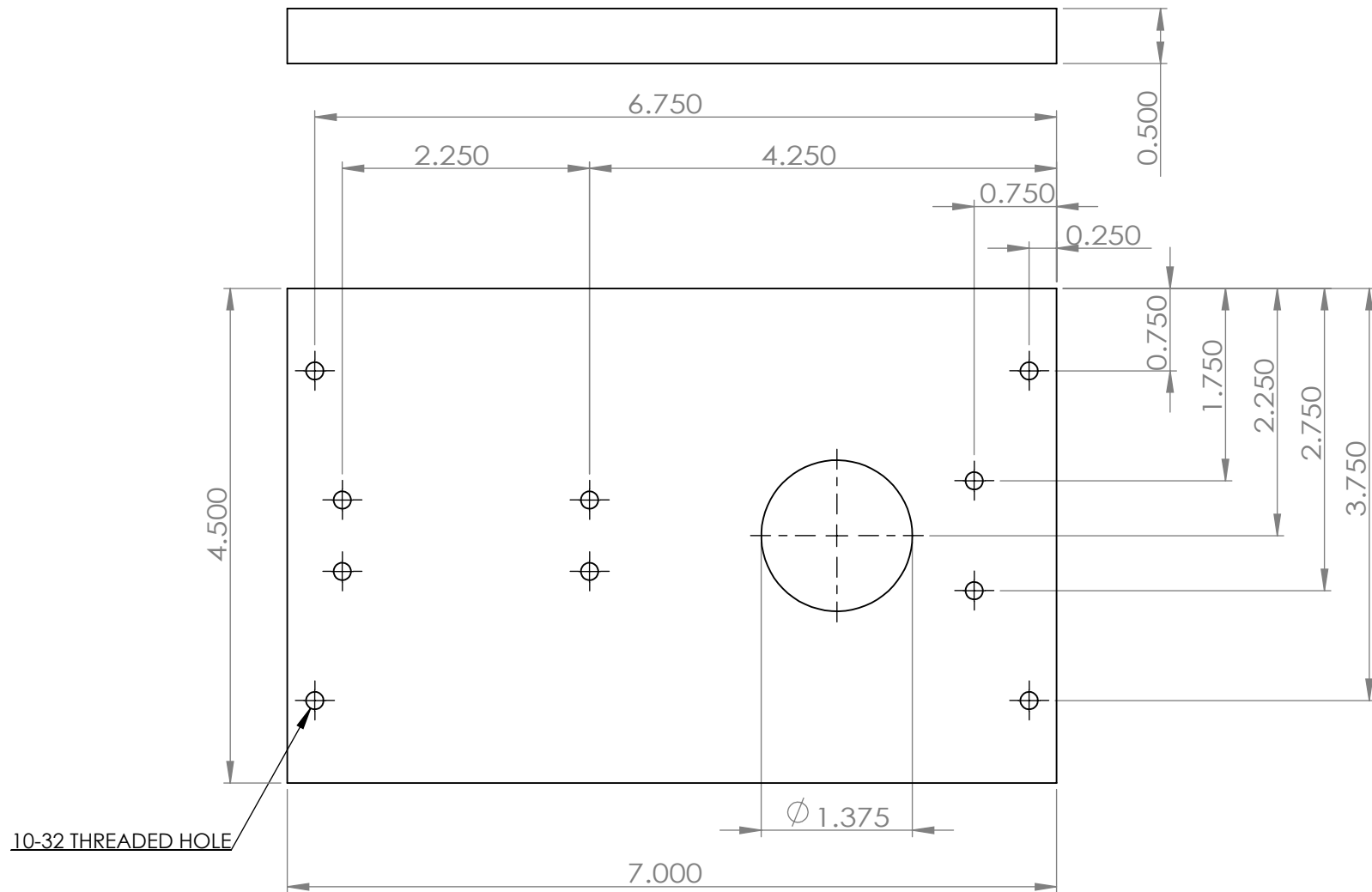
DATE:

APRIL 1, 2012

CREATED BY:

SIRUI SONG

FLEXMARS



10-32 THREADED HOLE

TITLE:

MOUNTING PLATE

DATE:

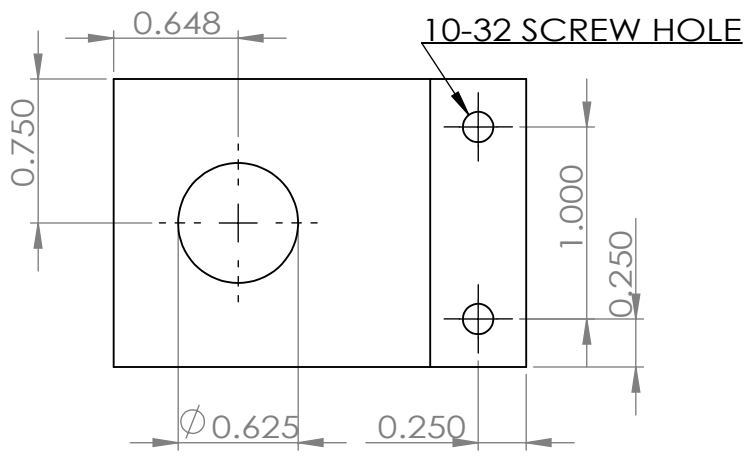
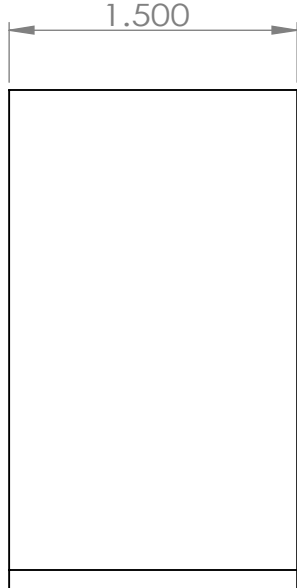
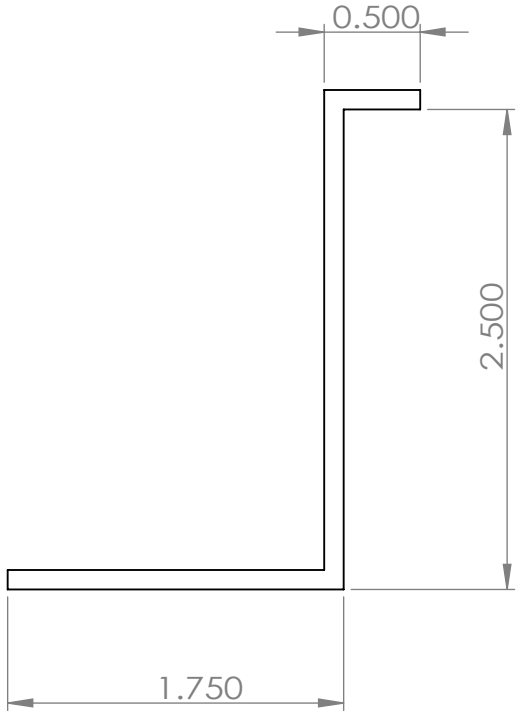
APRIL 1, 2012

CREATED BY:

SIRUI SONG

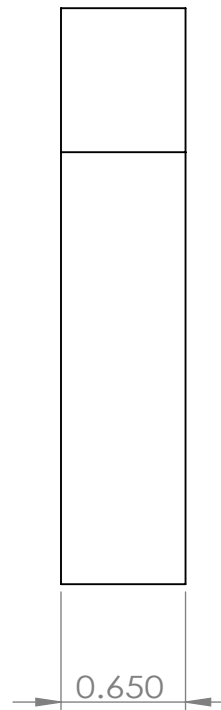
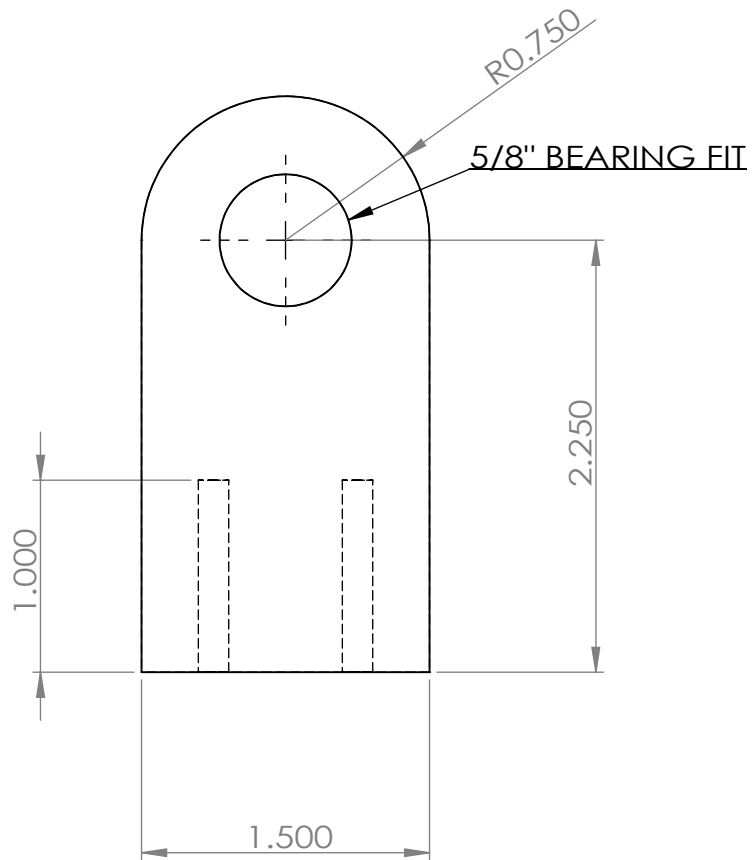
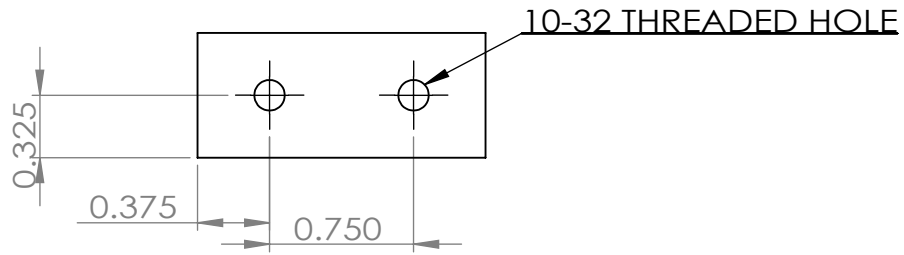
FLEXMARS

ALL UNITS IN INCHES



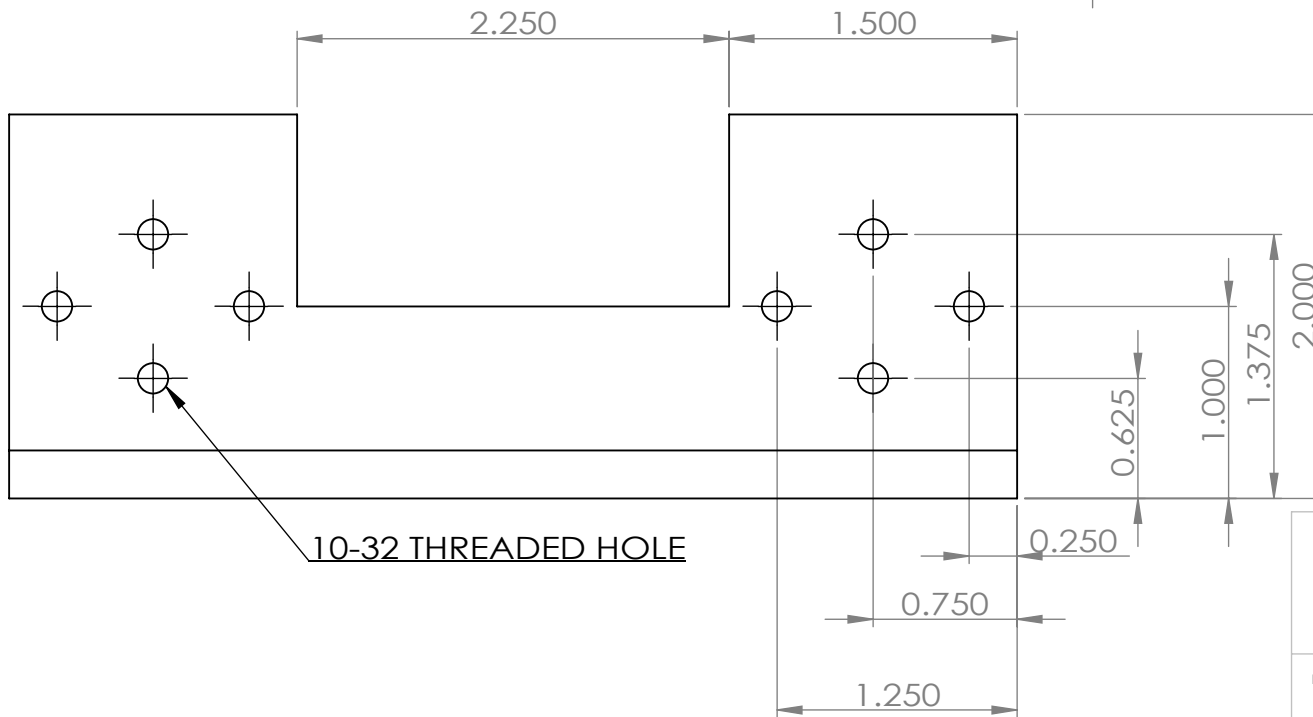
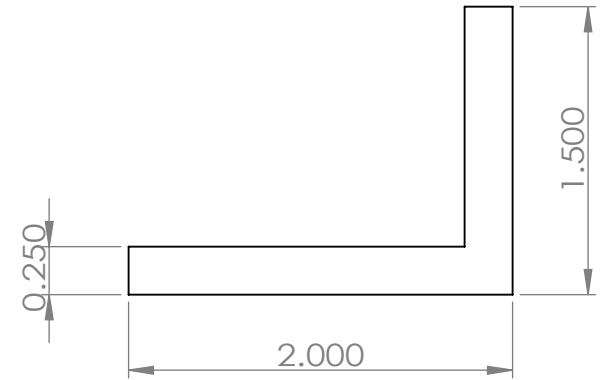
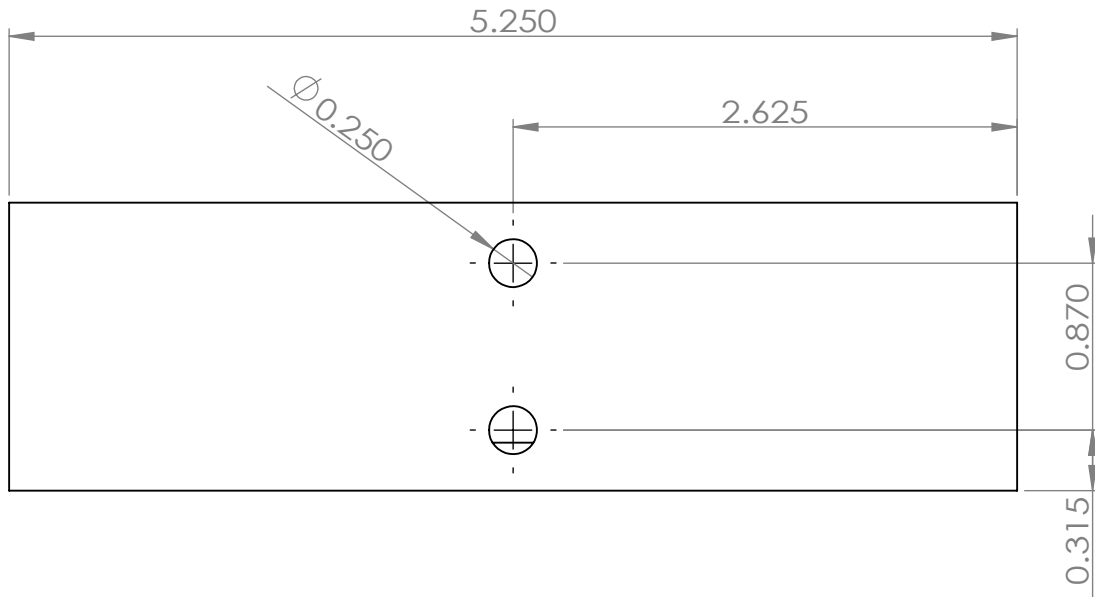
18 GA THICKNESS ALL UNITS IN INCHES

TITLE: BASE ENCODER MOUNT	
DATE: APRIL 1, 2012	
CREATED BY: SIRUI SONG	FLEXMARS



ALL UNITS IN INCHES

TITLE:	
JOINT MOUNT	
DATE:	
APRIL 1, 2012	
CREATED BY:	
SIRUI SONG	FLEXMARS



TITLE:

BASE TUBE MOUNT

DATE:

APRIL 1, 2012

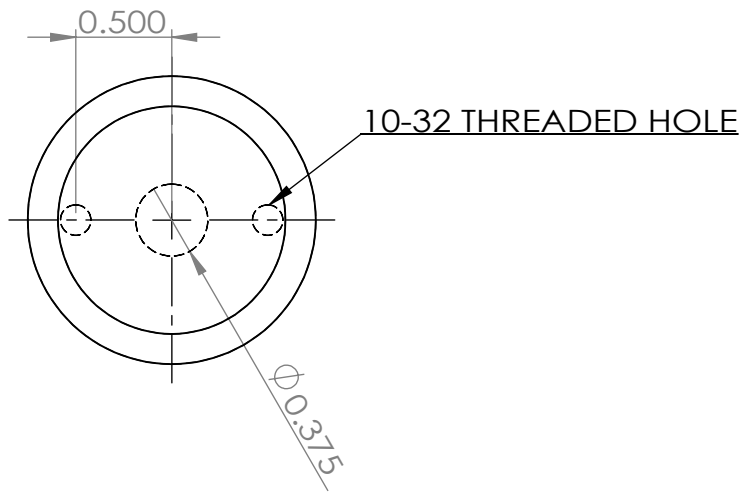
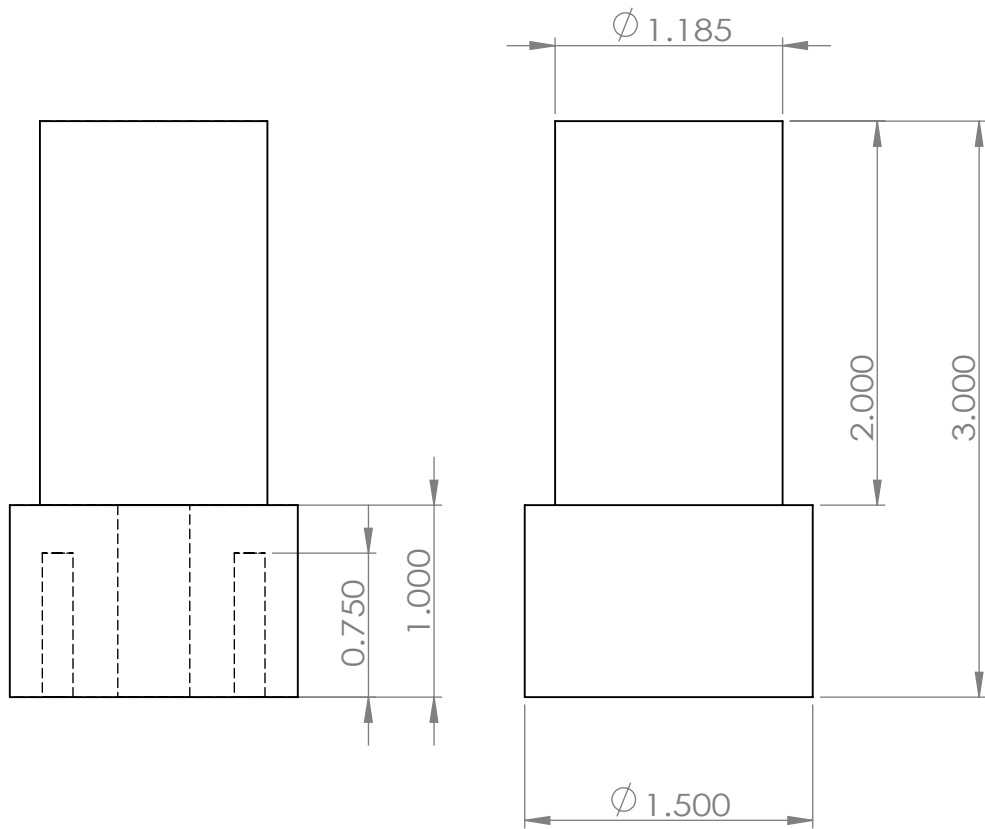
CREATED BY:

SIRUI SONG

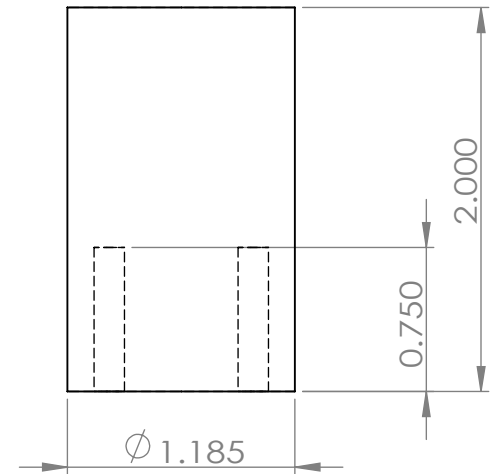
FLEXMARS

ALL UNITS IN INCHES

TUBE INSERT FOR FOREARM



TUBE INSERT FOR WRIST



ALL UNITS IN INCHES

TITLE:

TUBE INSERT

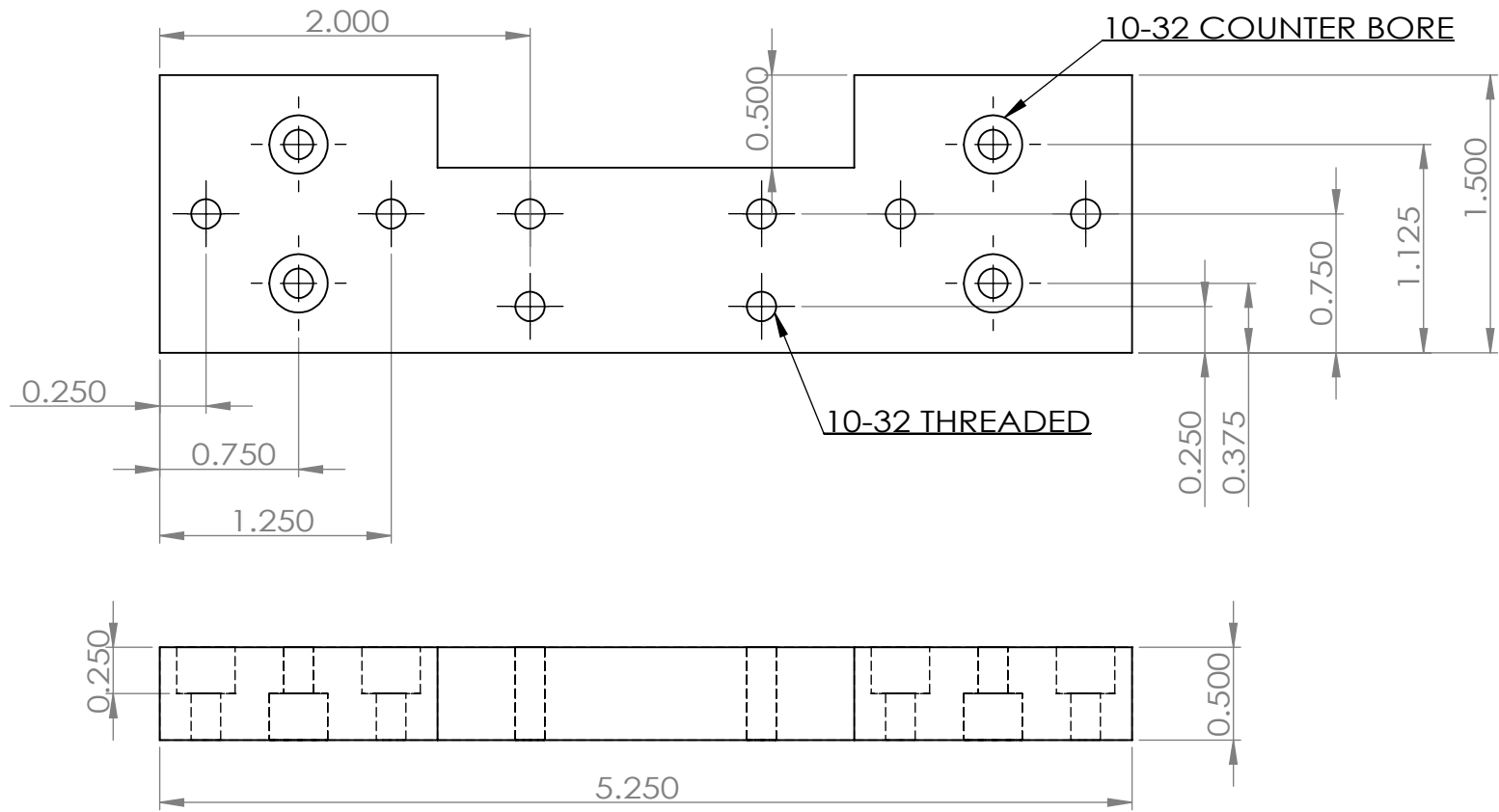
DATE:

APRIL 1, 2012

CREATED BY:

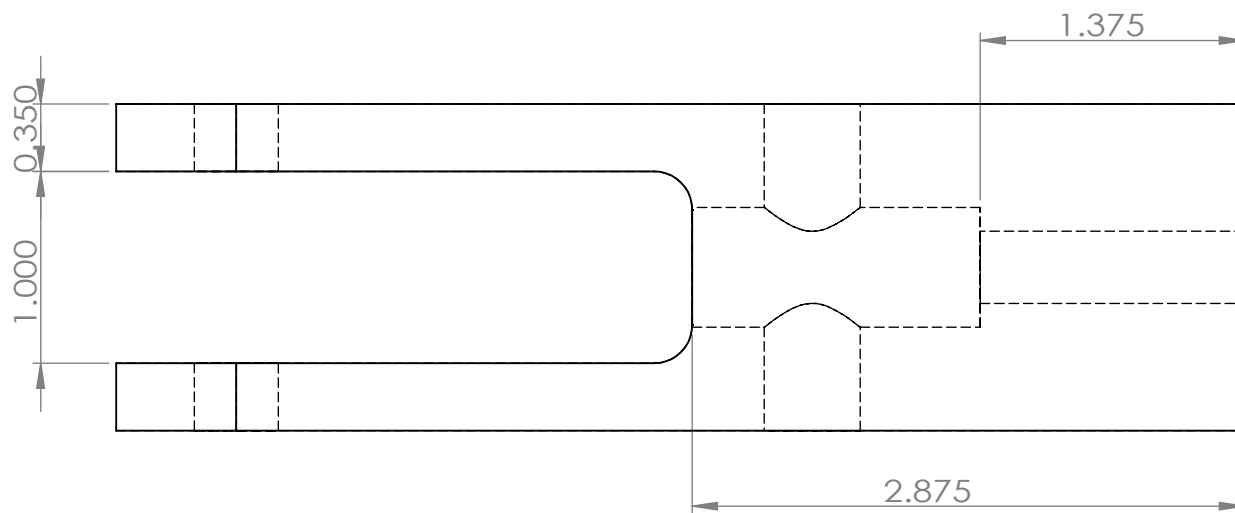
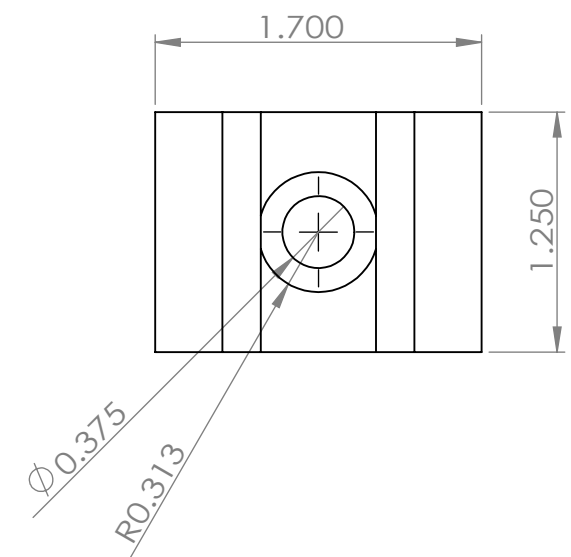
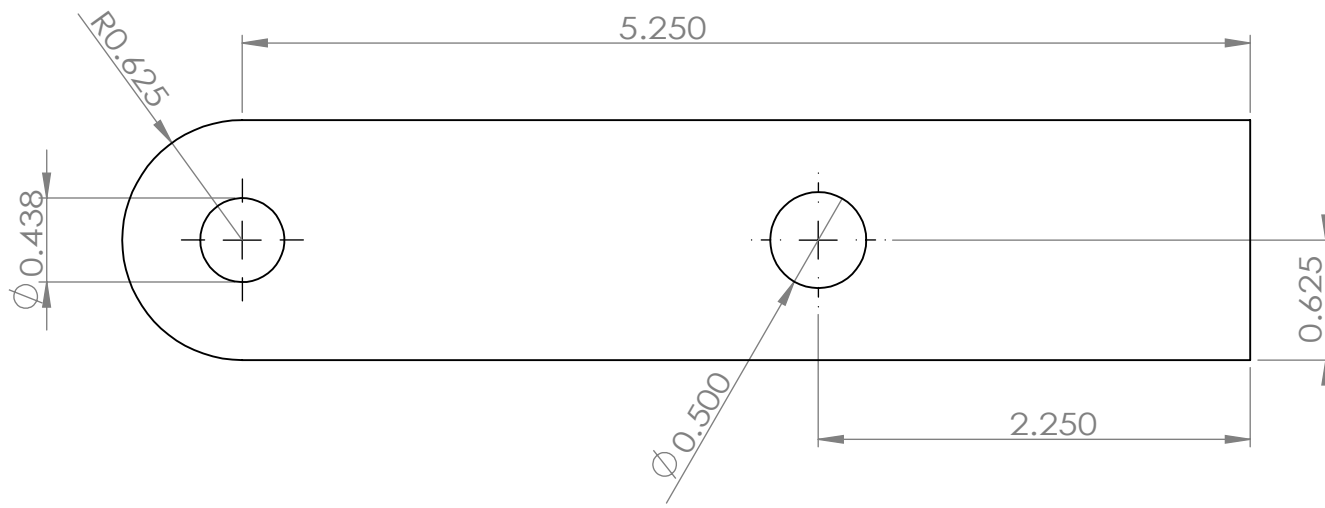
SIRUI SONG

FLEXMARS



ALL UNITS IN INCHES

TITLE: FOREARM TUBE MOUNT	
DATE: APRIL 1, 2012	
CREATED BY: SIRUI SONG	FLEXMARS



ALL UNITS IN INCHES

TITLE:

SHOULDER JOINT

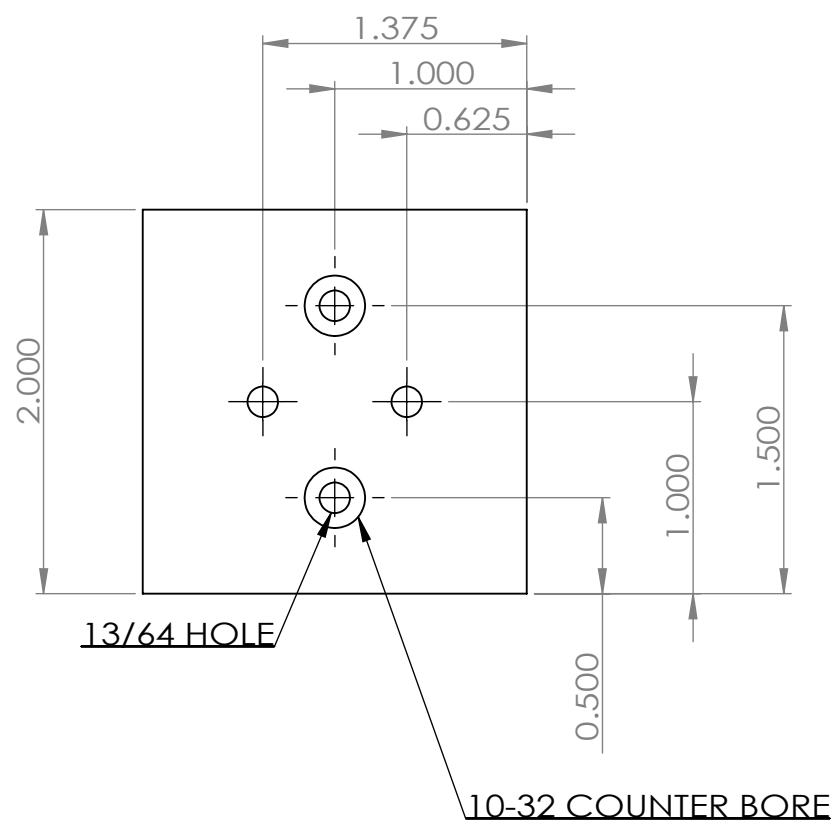
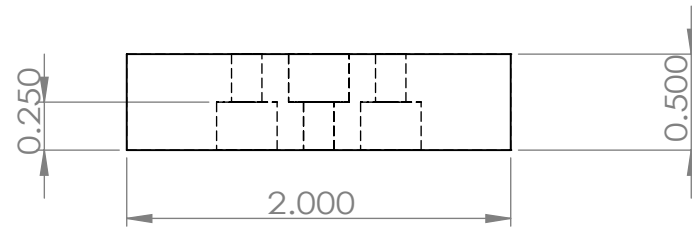
DATE:

APRIL 1, 2012

CREATED BY:

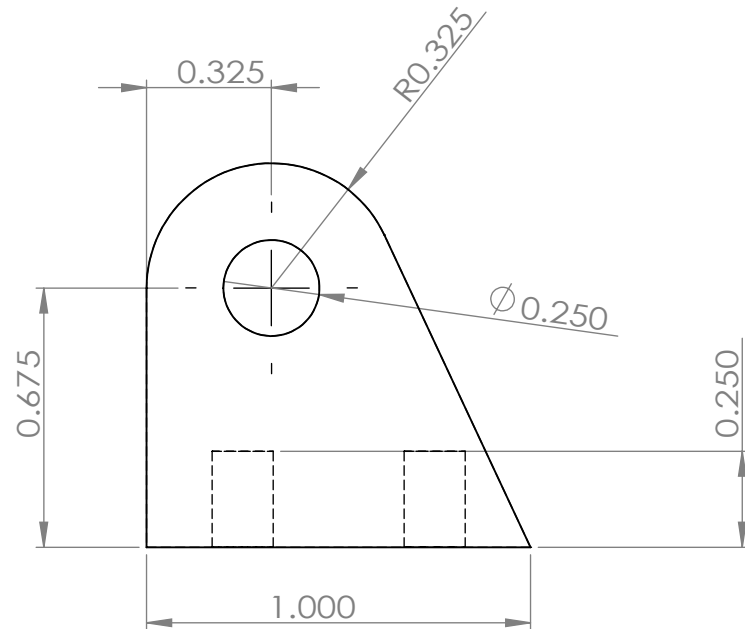
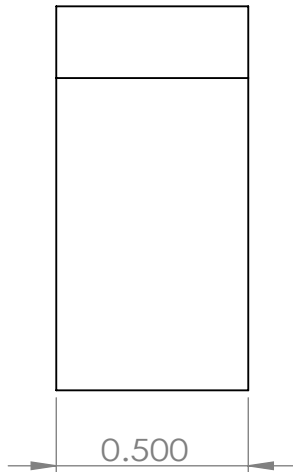
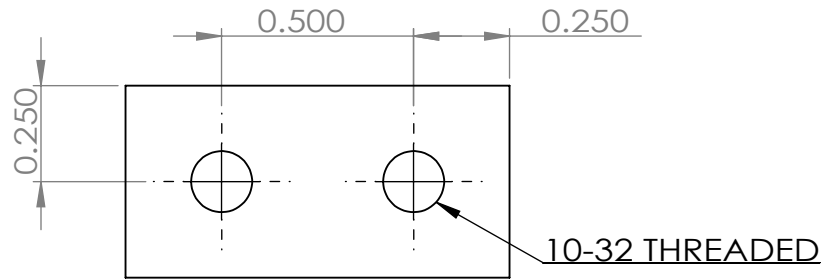
SIRUI SONG

FLEXMARS



ALL UNITS IN INCHES

TITLE: TUBE MOUNT SPACER	
DATE: APRIL 1, 2012	
CREATED BY: SIRUI SONG	FLEXMARS



TITLE:

ACTUATOR MOUNT

DATE:

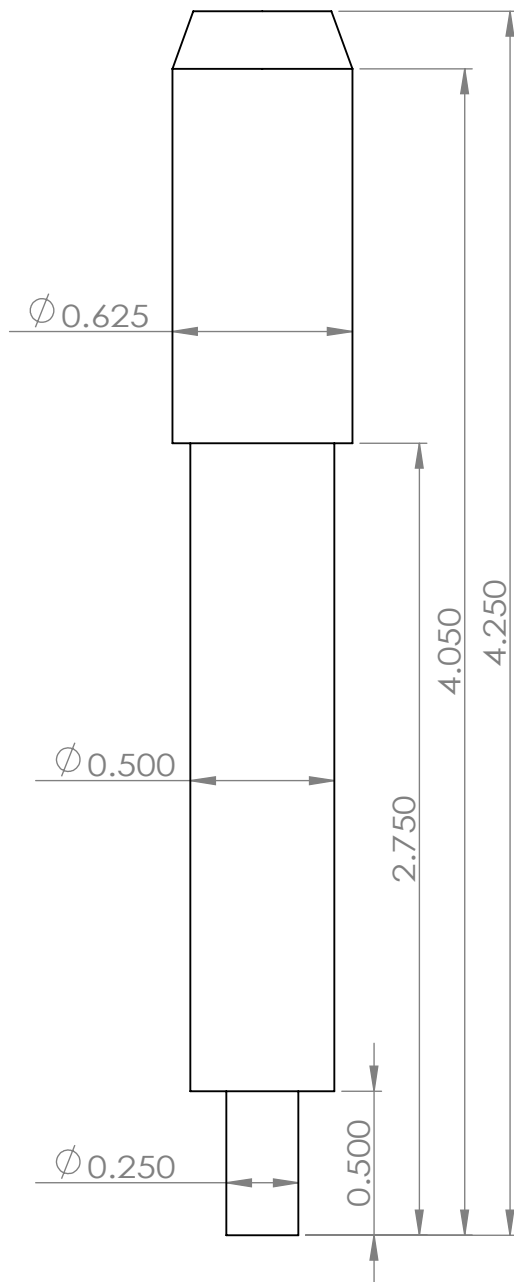
APRIL 1, 2012

CREATED BY:

SIRUI SONG

FLEXMARS

ALL UNITS IN INCHES



ALL UNITS IN INCHES

TITLE:

BASE MOUNT SHAFT

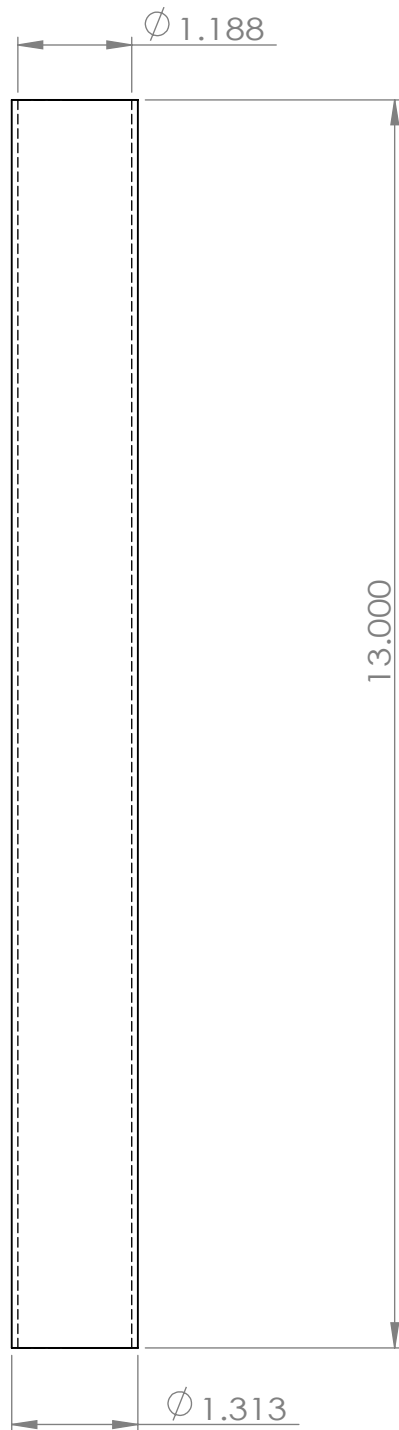
DATE:

APRIL 1, 2012

CREATED BY:

SIRUI SONG

FLEXMARS



FOR FOREARM, LOWER ARM ALL UNITS IN INCHES

TITLE: CARBON FIBER TUBE	
DATE: APRIL 1, 2012	
CREATED BY: SIRUI SONG	FLEXMARS