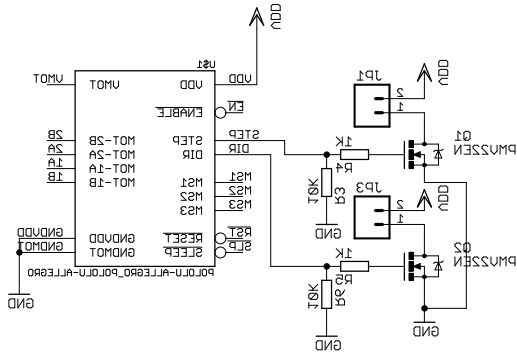


Polo1 Laser driver module

Released under the Creative Commons Attribution Share-Alike 3.0 License
<http://creativecommons.org/licenses/by-sa/3.0/>
 By tm - tm@parbit.de
 Design based on the polo1 stepper driver form factor.
 Furthermore, the author reserves the right to make any modifications to the design without prior notice.
 USE OF THIS DESIGN, EVEN IF ADVISED OF THE POSSIBILITY OF SUCH DAMAGE, ARISING IN ANY WAY OUT OF THE
 OF LIABILITY, WHETHER IN CONTRACT, STRICT LIABILITY, OR TORT (INCLUDING NEGLIGENCE OR OTHERWISE) ARISING IN ANY WAY OUT OF THE
 LOSS OF USE, DATA, PERSONAL OR MATERIAL DAMAGE, PROFITS OR BUSINESS INTERRUPTION HOWEVER CAUSED AND ON ANY THEORY
 OR CONSEQUENTIAL DAMAGES (INCLUDING, BUT NOT LIMITED TO, PROCUREMENT OF SUBSTITUTE GOODS OR SERVICES;
 DISCLAIMED. IN NO EVENT SHALL THE AUTHOR BE LIABLE FOR ANY DIRECT, INDIRECT, INCIDENTAL, SPECIAL, EXEMPLARY,
 INCLUDING, BUT NOT LIMITED TO, THE IMPLIED WARRANTIES OF MERCHANTABILITY AND FITNESS FOR A PARTICULAR PURPOSE ARE
 THIS DESIGN IS PROVIDED BY THE COPYRIGHT HOLDERS AND CONTRIBUTORS "AS IS" AND ANY EXPRESS OR IMPLIED WARRANTIES,



CC SA-BY **open hardware**



Sheet: 1/1
 24\02\18 22:25
 Laserio1 SMD

A