

laserlolu

Copyright electroFUN LTD 2015

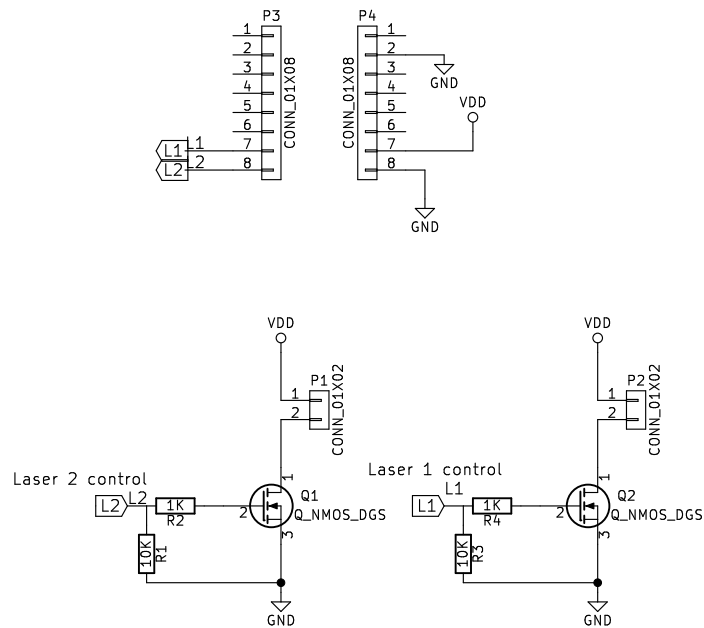
Licensed under CERN OHL v.1.2

This documentation describes Open Hardware and is licensed under the CERN OHL v. 1.2.

You may redistribute and modify this documentation under the terms of the CERN OHL v.1.2.

(<http://ohwr.org/cernohl>). This documentation is distributed WITHOUT ANY EXPRESS OR IMPLIED WARRANTY, INCLUDING OF MERCHANTABILITY, SATISFACTORY QUALITY AND FITNESS FOR A PARTICULAR PURPOSE.

Please see the CERN OHL v.1.2 for applicable conditions.



Copyright electroFUN LTD 2015
Licensed under CERN OHL v1.2
http://www.ohwr.org/attachments/2388/cern_ohLv_1_2.txt

electroFUN LTD

Sheet: /
File: laserLolu.sch

Title: laserlolu

Size: A4 Date: 21/3/2015
KiCad E.D.A. kicad (2015-03-20 BZR 5526)-product

Rev: A
Id: 1/1