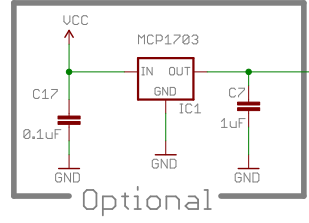
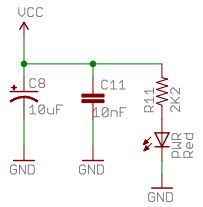
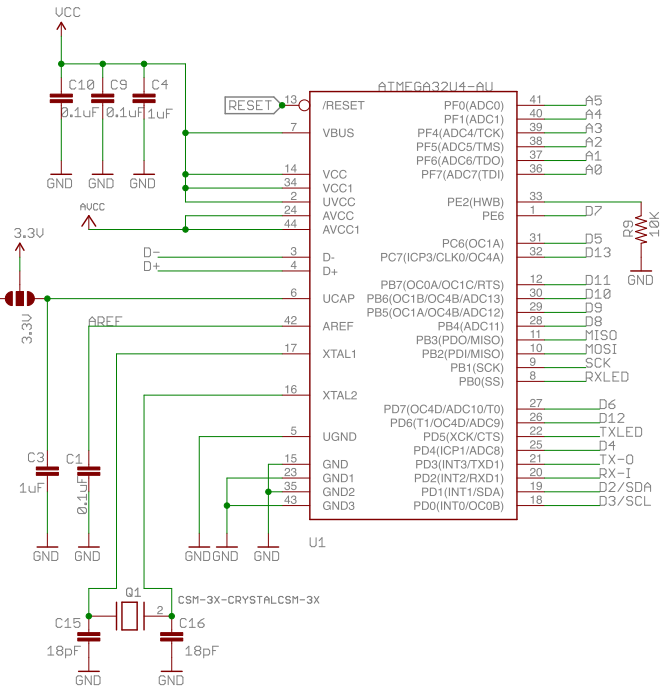


vinciDuino evo Proto

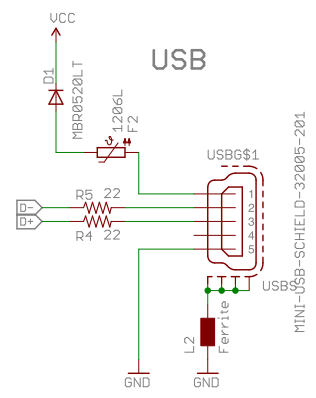
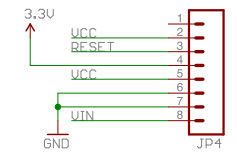
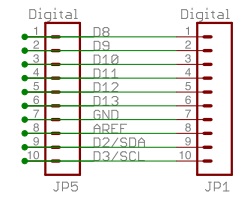
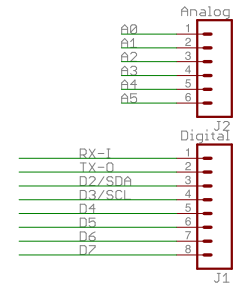
Power Supply



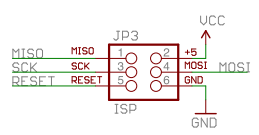
ATMEGA 32U4



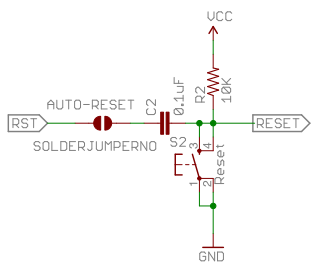
Breakouts



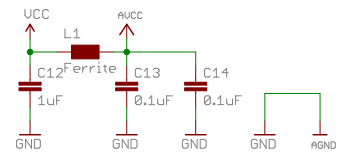
ICSP



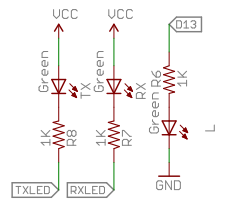
Reset



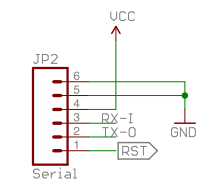
Analog Supply



Status LEDs



UART



Released under the Creative Commons Attribution Share-Alike 3.0 License
<http://creativecommons.org/licenses/by-sa/3.0>

vinciDuino Design by fm - fmalpartida, Inizul, JMN and the vinciDuino Team



○ ○ ⊗ ⊗	
TITLE: vinciDuino evo proto	
Document Number:	REV:
Date: 27/05/12 19:43	Sheet: 1/1