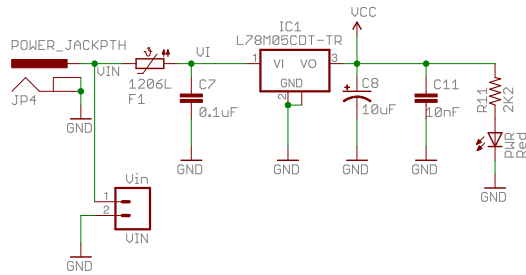
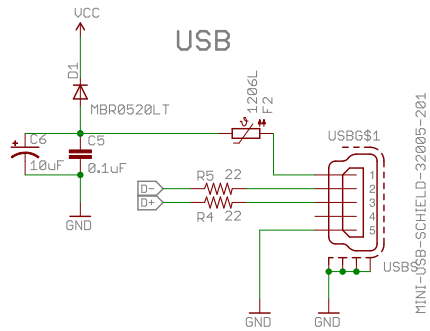




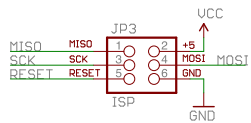
Power Supply



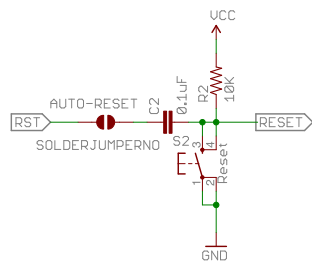
USB



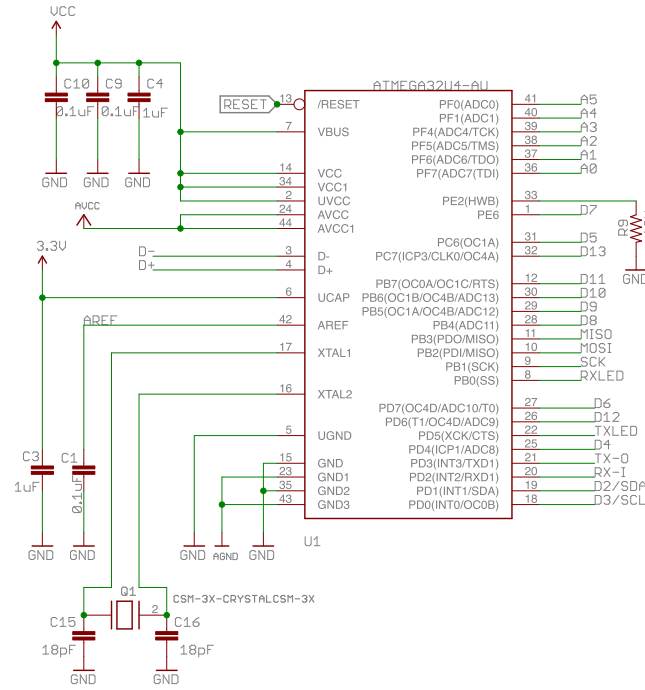
ICSP



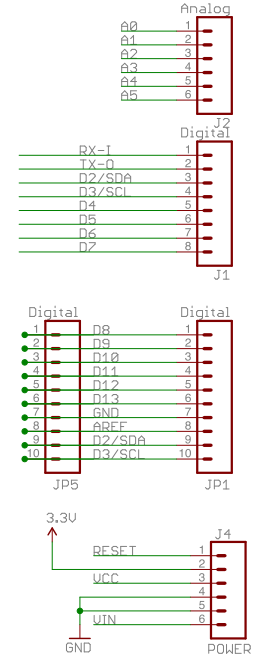
Reset



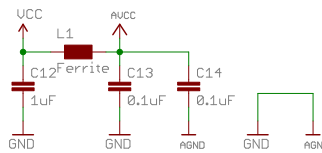
ATMEGA 32U4



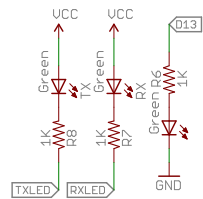
Breakouts



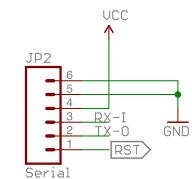
Analog Supply



Status LEDs



UART



vinciDuino

Released under the Creative Commons Attribution Share-Alike 3.0 License
<http://creativecommons.org/licenses/by-sa/3.0>

Original form factor from Arduino Pro Mini Design by Spark Fun Electronics
 vinciDuino Design by fm - fmalpartida, Inizul, JMN and the vinciDuino Team



○ ○ ⊗ ⊗	
TITLE: vinciDuino	
Document Number:	REV:
Date: 31/05/12 22:56	Sheet: 1/1